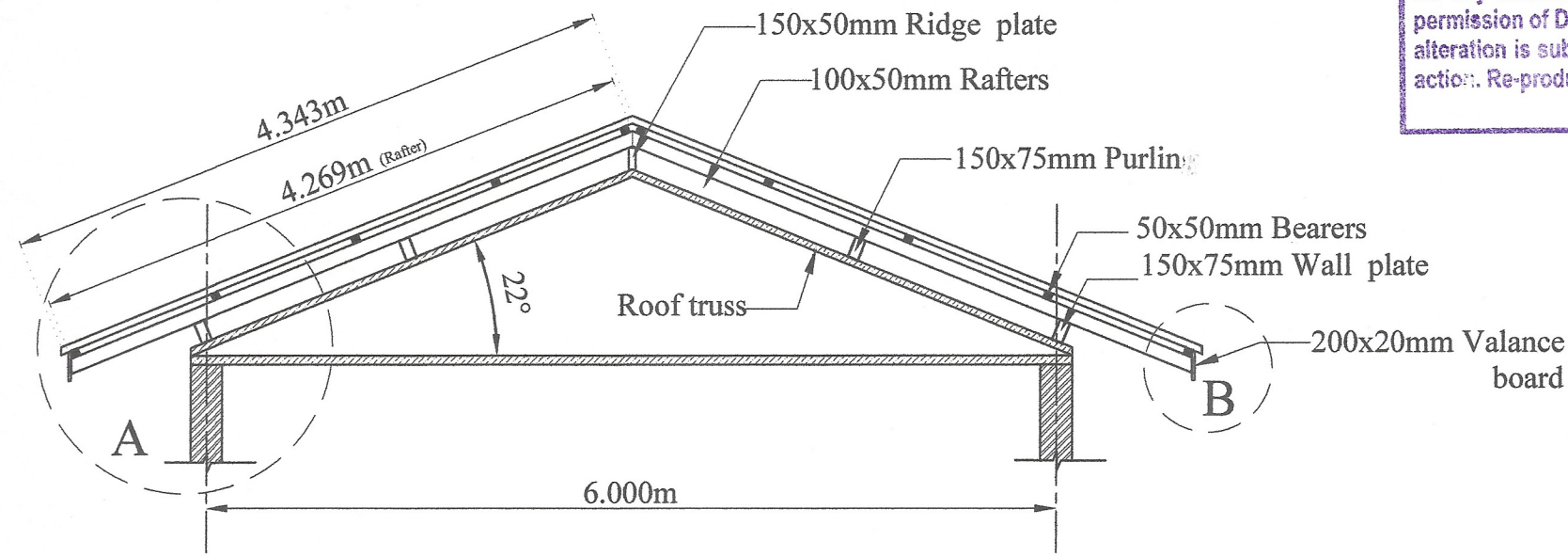
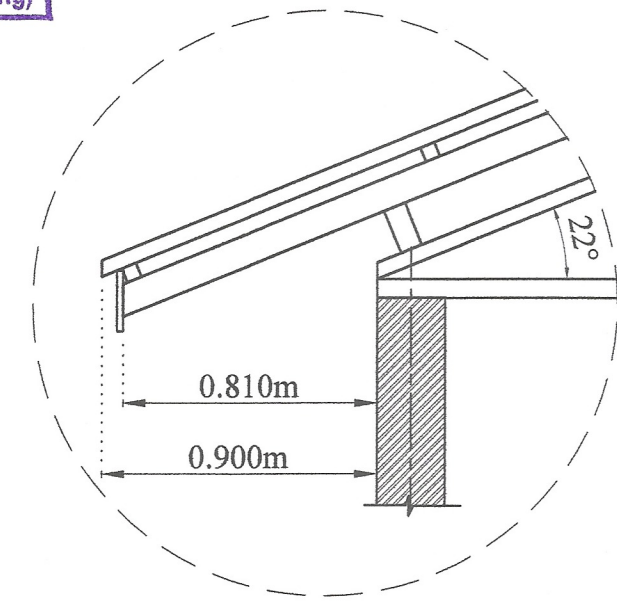


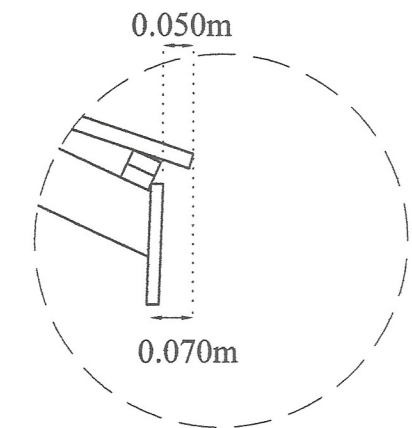
No any alteration is allowed without due permission of DCS(Eng). Any unauthorized alteration is subjected to have disciplinary action. Re-production is not permitted.
DCS(Eng)



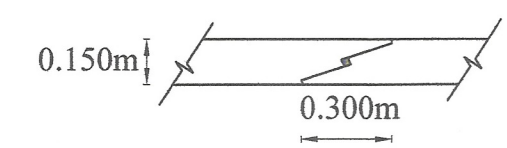
SECTION X-X
Scale :- 1:50



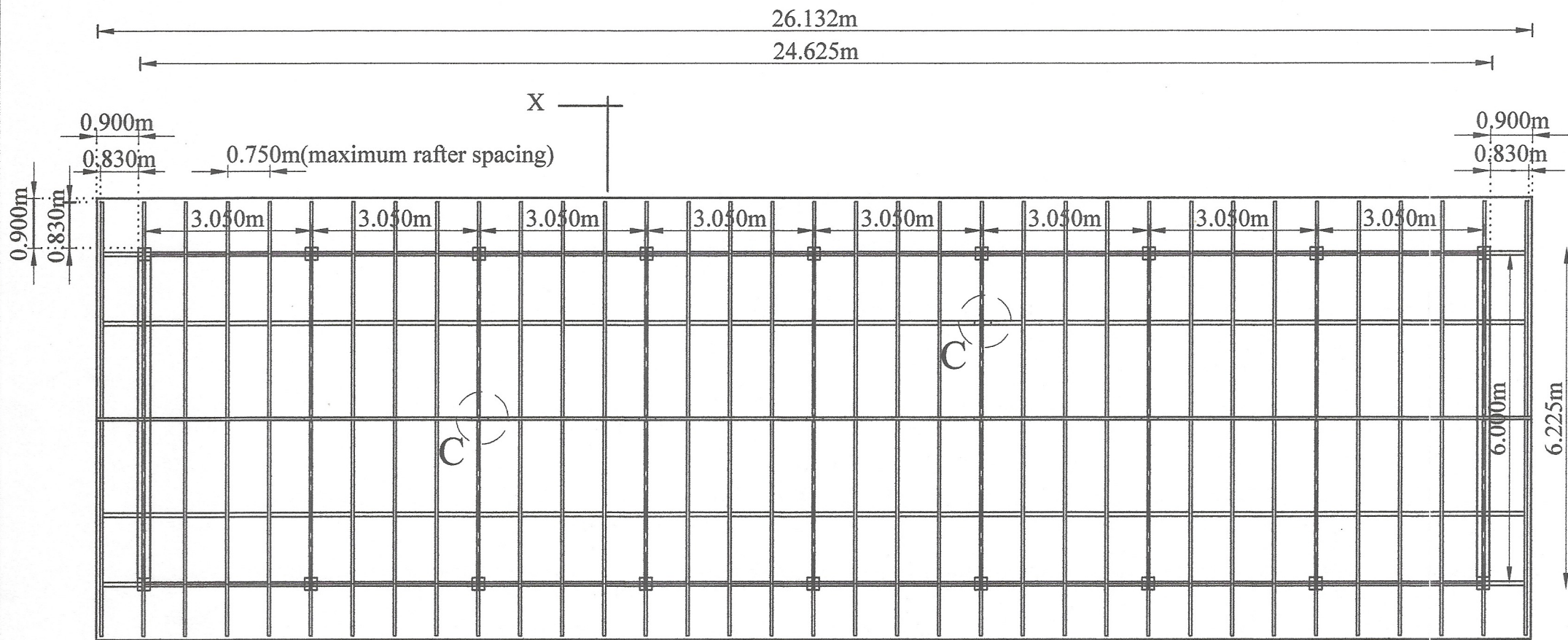
DETAIL AT "A"
Scale :- 1:20



DETAIL AT "B"
Scale :- 1:10



DETAIL AT "C"



ASBESTOS SHEET ROOF PLAN
Scale :- 1:100

DETAILS OF SINGLE STORIED BUILDING
CORRUGATED ASBESTOS SHEET ROOF
(18m x 6m, 24m x 6m)
(60'- 0" x 20'- 0", 80'-0" x 20'-0")

All right reserved this work or any part of there of may not be reproduced without written permission of the Engineering Services Office of southern Provincial council.

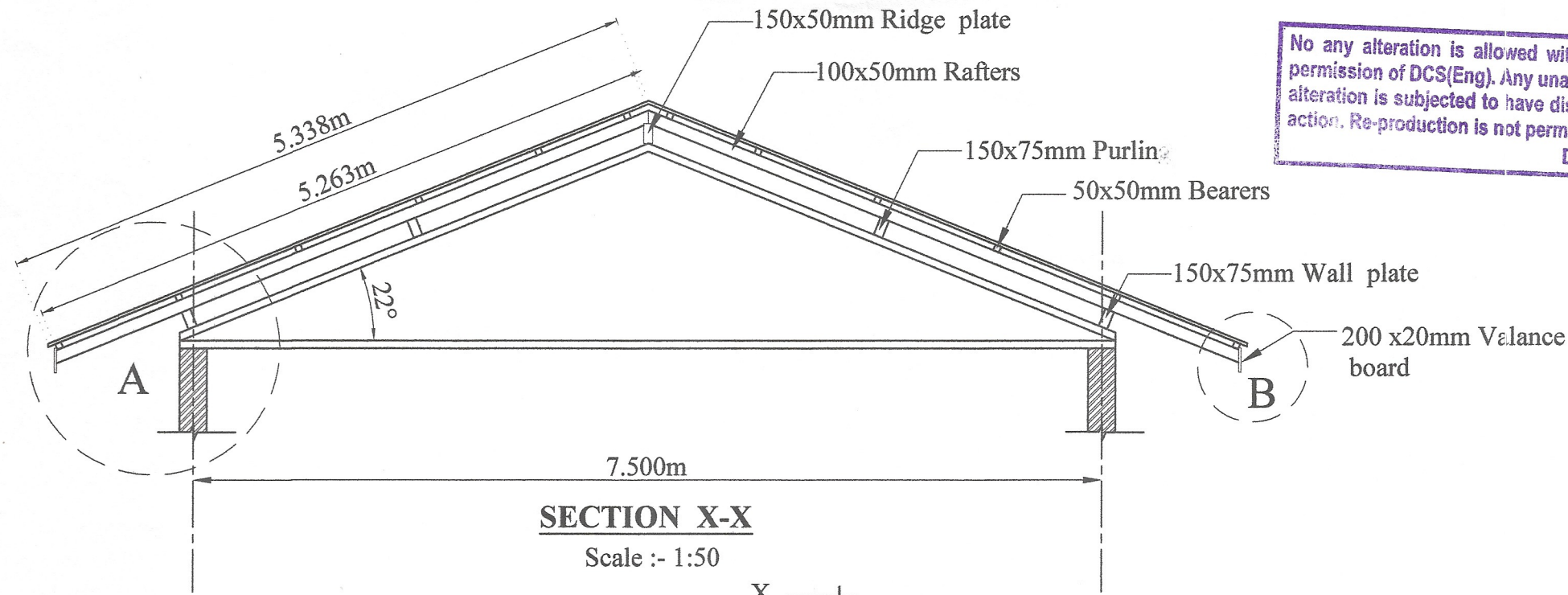
Sheet No : 01	Checked By : <i>Steyan</i> (S.P.Welthasinghe)
Drawing No : SPES/Rate23/Ro-11	D.O.A. : <i>C.P.Rajapaksa</i> (G.N.R.Ekanayake)
Scale : 1:100, 1:50, 1:20, 1:10	Technical Officer : <i>Wathana</i> (L.W.Hemasinha)
Date : 2023-09-07	Design Engineer : <i>N.M.S.Munasinghe</i> (Eng. N.M.S.Munasinghe)
Drawn By : <i>Dela</i> (Kumari Gebriel)	Director (Engineer) : <i>C.B.A.P</i> (Eng. C.B.Abdyadeera)

DETAILED DRAWING
(RATE ANALYSIS)

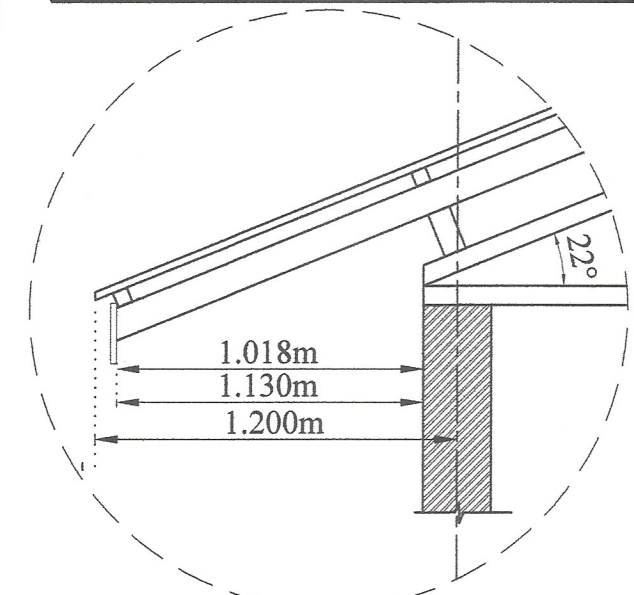
ENGINEERING SERVICES OFFICE.
SOUTHERN PROVINCIAL COUNCIL, GALLE.

Tel: 09122-42786 / 09122-42785 / 09122-46161 / 09122-34125 / 09122-46262 / 0902636745
Fax: 09122-42786 / 09122-42785 / 09122-46161 / 09122-33126 E-mail: engserv@spes.gov.lk

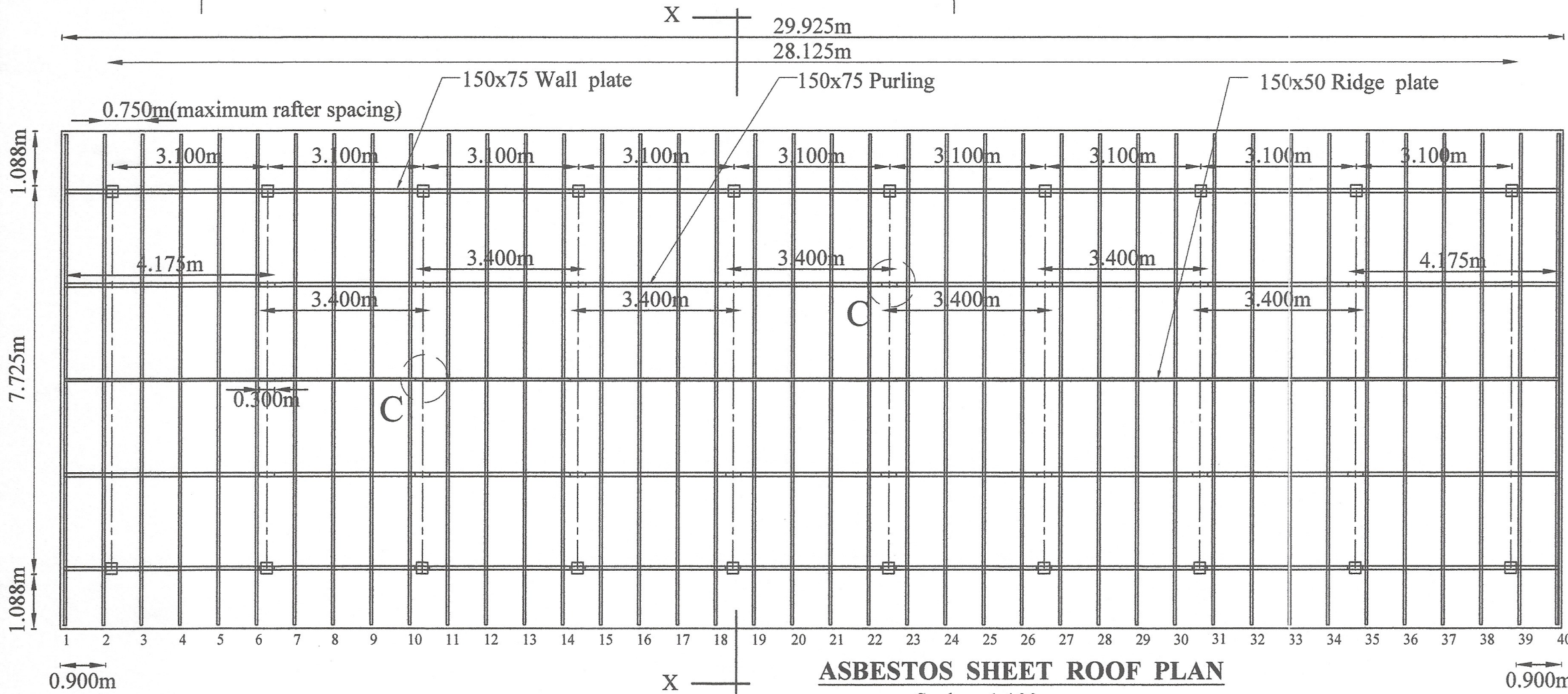
No any alteration is allowed without due permission of DCS(Eng). Any unauthorized alteration is subjected to have disciplinary action. Re-production is not permitted.
DCS(Eng)



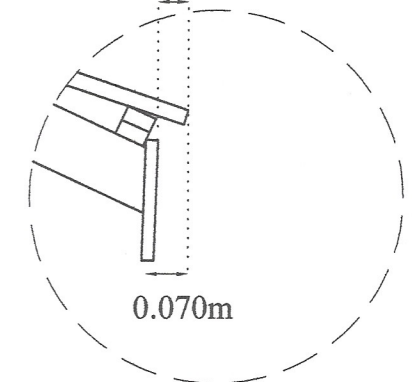
SECTION X-X
Scale :- 1:50



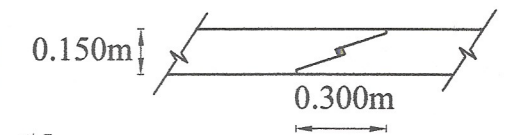
DETAIL AT "A"
Scale :- 1:20
0.050m



ASBESTOS SHEET ROOF PLAN
Scale :- 1:100



DETAIL AT "B"
Scale :- 1:10



DETAIL AT "C"
Scale :- 1:20

DETAILS OF ABOVE SINGLE STORIED BUILDING
CORRUGATED ASBESTOS SHEET ROOF
(27m x 7.5m)
(90'- 0 x 25'- 0)

All right reserved this work or any part of there of may not be reproduced without written permission of the Engineering Services Office of southern Provincial council.

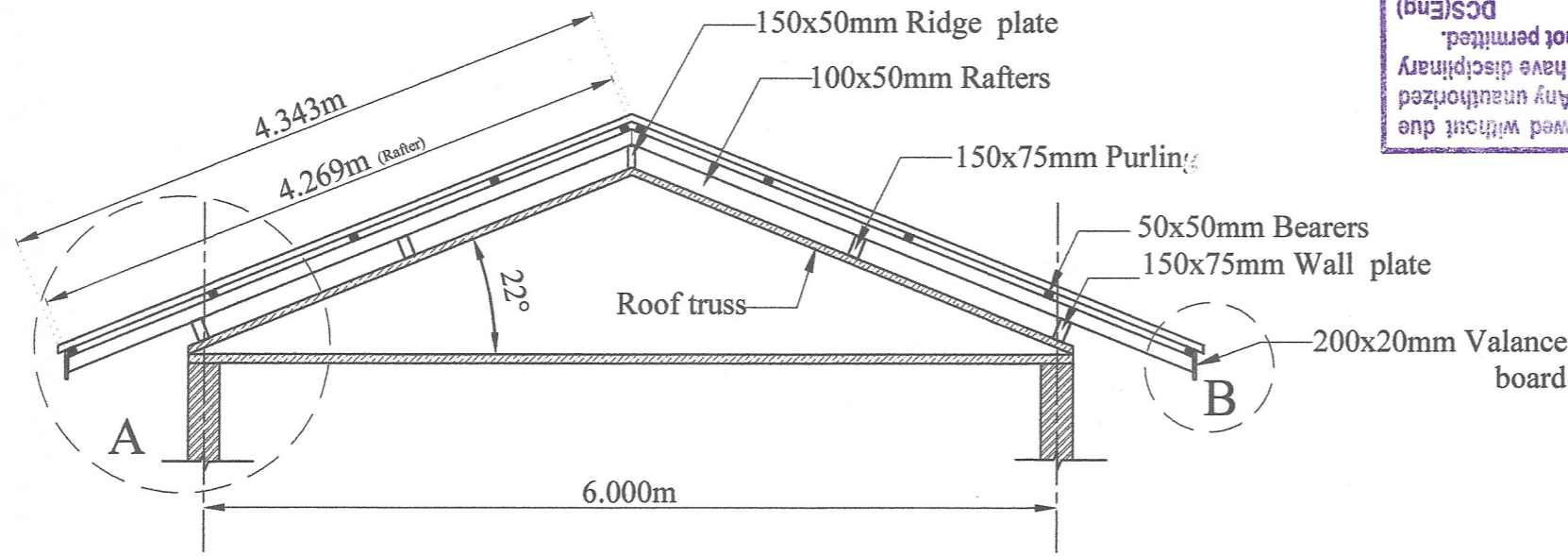
Sheet No : 01
Drawing No : SPES/Rate23/Ro-11a
Scale : 1:100, 1:50, 1:20, 1:10
Date : 2023-09-07
Drawn By : *[Signature]*
(Kumari Gebriel)

Checked By : *[Signature]*
(S.P.Wethasinghe)
D.O.A. : *[Signature]*
(G.N.R.Ekanayake)
Technical Officer : *[Signature]*
(L.W.Hemantha)
Design Engineer : *[Signature]*
(Eng. N.M.S.Manasingle)
Director (Engineer) : *[Signature]*
(Eng. C.B.Abbayadara)

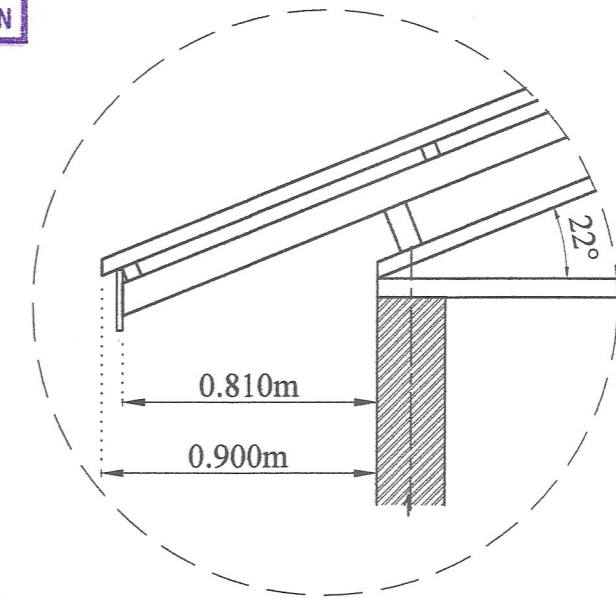
DETAILED DRAWING
(RATE ANALYSIS)

ENGINEERING SERVICES OFFICE.
SOUTHERN PROVINCIAL COUNCIL, GALLE.
Tel- 09122-42786 / 09122-42785 / 09122-48161 / 09122-33125 / 09122-48282 / 09026390745
FAX- 09122-42786 / 09122-42785 / 09122-48161 / 09122-33125 E-mail- engserv@spc.gov.lk

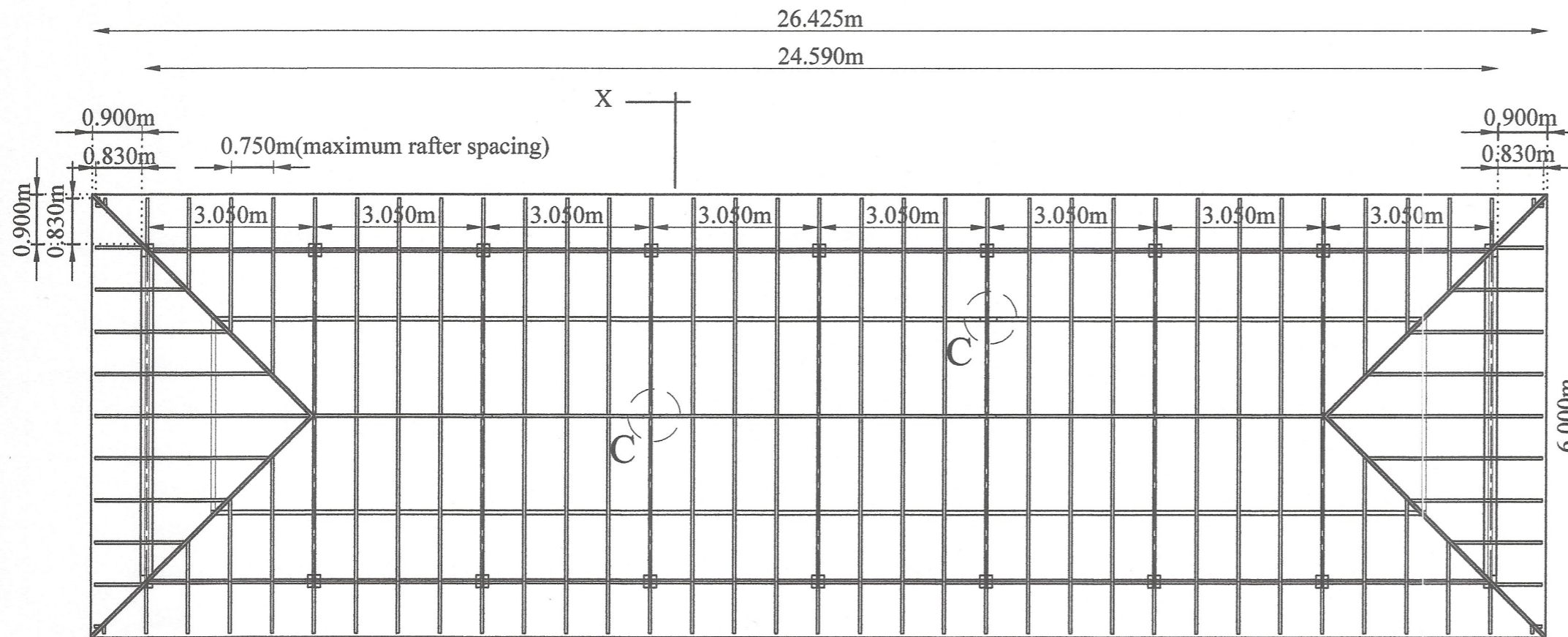
No any alteration is allowed without due permission of DCS(Eng). Any unauthorized alteration is subjected to have disciplinary action. Re-production is not permitted. DCS(Eng)



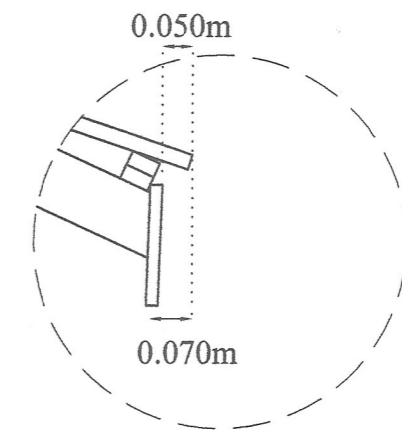
SECTION X-X
Scale :- 1:50



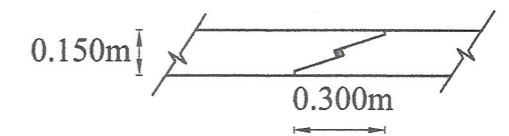
DETAIL AT "A"
Scale :- 1:20



ASBESTOS SHEET HIP ROOF PLAN
Scale :- 1:100



DETAIL AT "B"
Scale :- 1:10



DETAIL AT "C"

DETAILS OF SINGLE STORIED BUILDING
CORRUGATED ASBESTOS SHEET HIP ROOF
 (18m x 6m , 24m x 6m)
 (60'- 0" x 20'- 0" , 80'-0" x 20'-0")

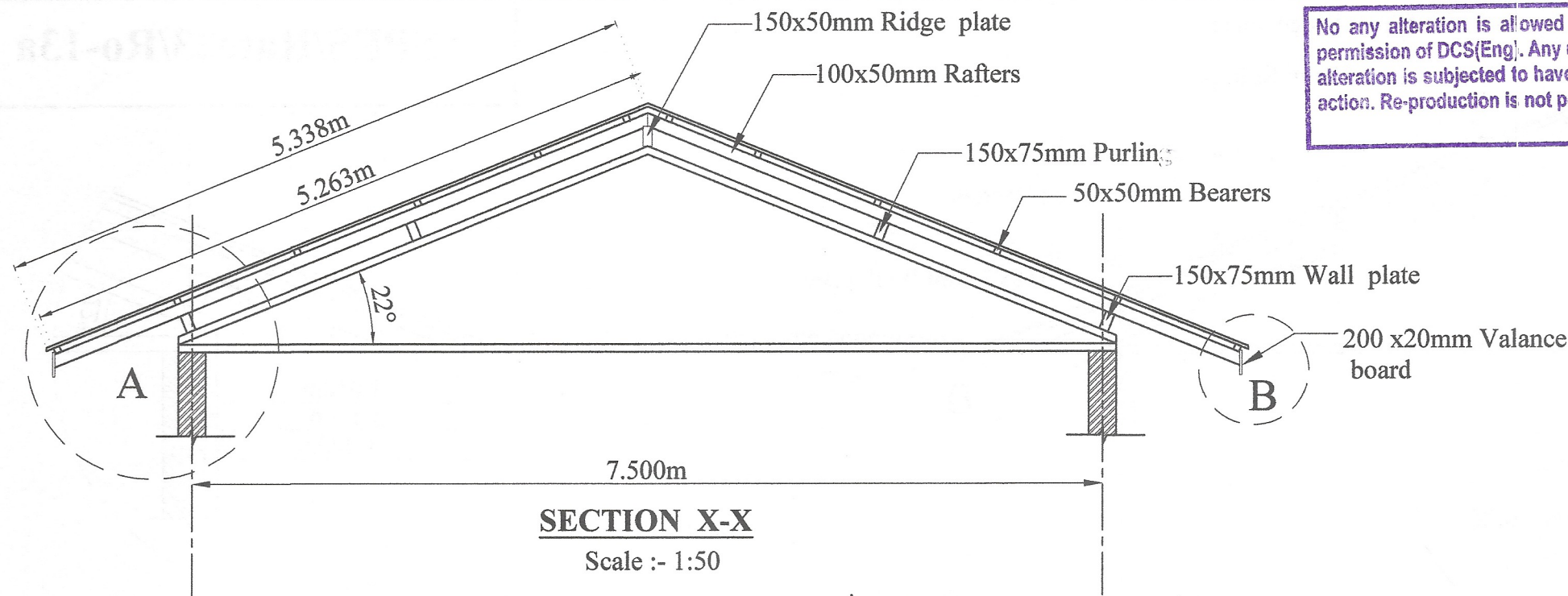
All right reserved this work or any part of there of may not be reproduced without written permission of the Engineering Services Office of southern Provincial council.

Sheet No : 01	Checked By : <i>S.P. Wethasinghe</i>
Drawing No : SPES/Rate23/Ro-13	D.O.A. : <i>C.P. Rajapakse</i>
Scale : 1:100, 1:50, 1:20, 1:10	Technical Officer : <i>L.W. Hemandha</i>
Date : 2023-09-07	Design Engineer : <i>N.M.S. Manasinghe</i>
Drawn By : <i>Kumari Gehrial</i>	Director (Engineer) : <i>C.B. Abeyadana</i>

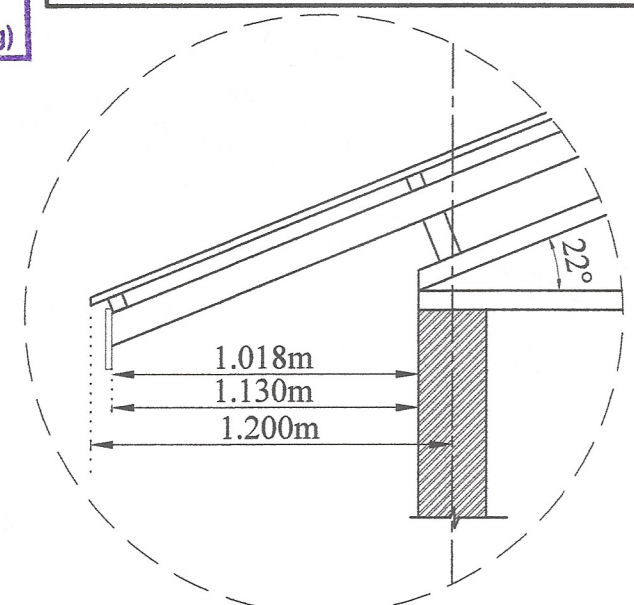
DETAILED DRAWING
(RATE ANALYSIS)

ENGINEERING SERVICES OFFICE.
SOUTHERN PROVINCIAL COUNCIL, GALLE.
 Tel: 09122-42786 / 09122-42787 / 09122-46161 / 09122-33125 / 09122-46282 / 0902658745
 FAX: 09122-42786 / 09122-42787 / 09122-46161 / 09122-33125 E-mail: engserv@spc.gov.lk

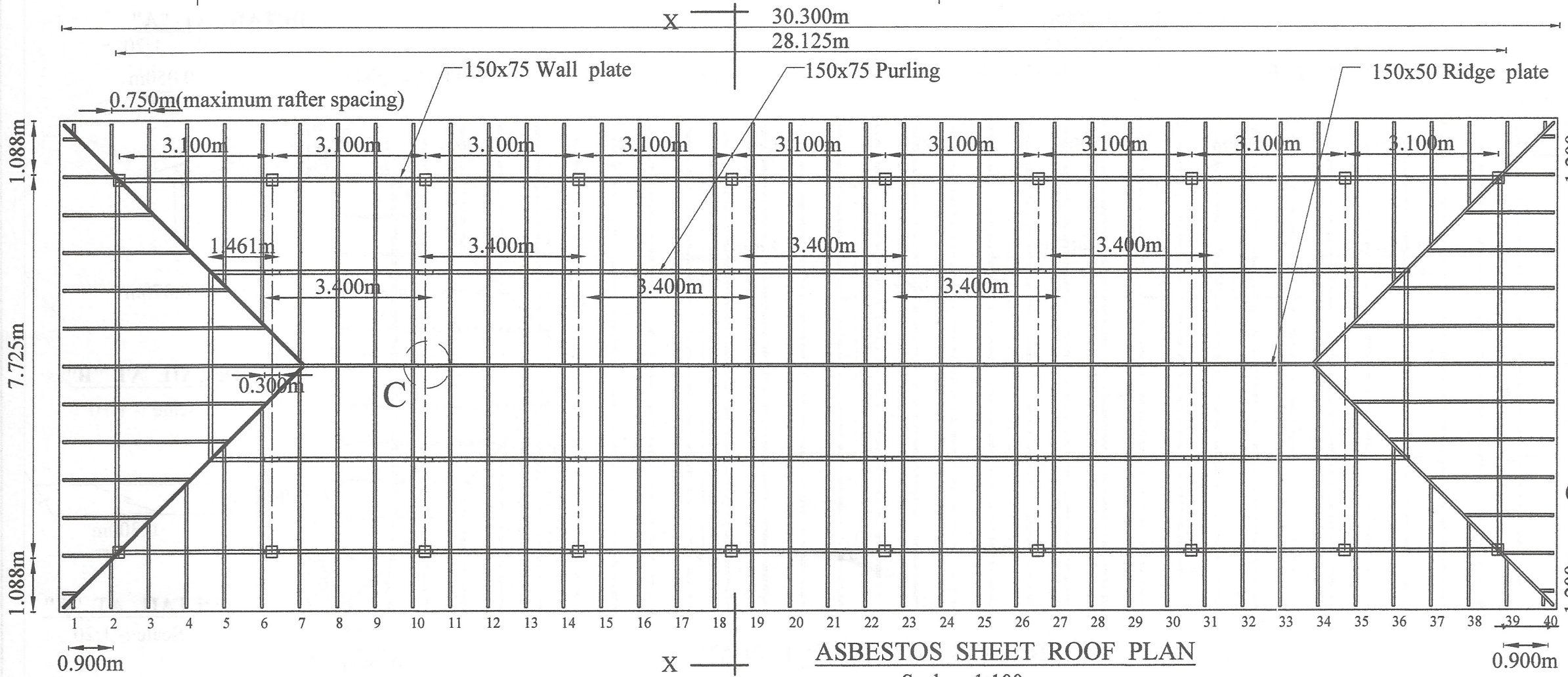
No any alteration is allowed without due permission of DCS(Eng). Any unauthorized alteration is subjected to have disciplinary action. Re-production is not permitted.
DCS(Eng)



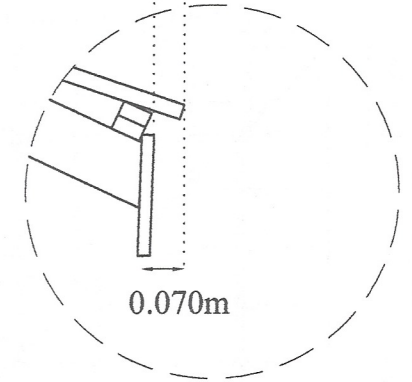
SECTION X-X
Scale :- 1:50



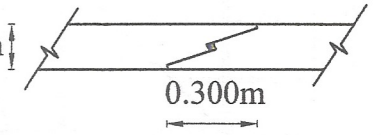
DETAIL AT "A"
Scale :- 1:20



ASBESTOS SHEET ROOF PLAN
Scale :- 1:100



DETAIL AT "B"
Scale :- 1:10



DETAIL AT "C"
Scale :- 1:20

DETAILS OF ABOVE SINGLE STORIED BUILDING
CORRUGATED ASBESTOS SHEET HIP ROOF
(27m x 7.5m)
(90'- 0 x 25'- 0)

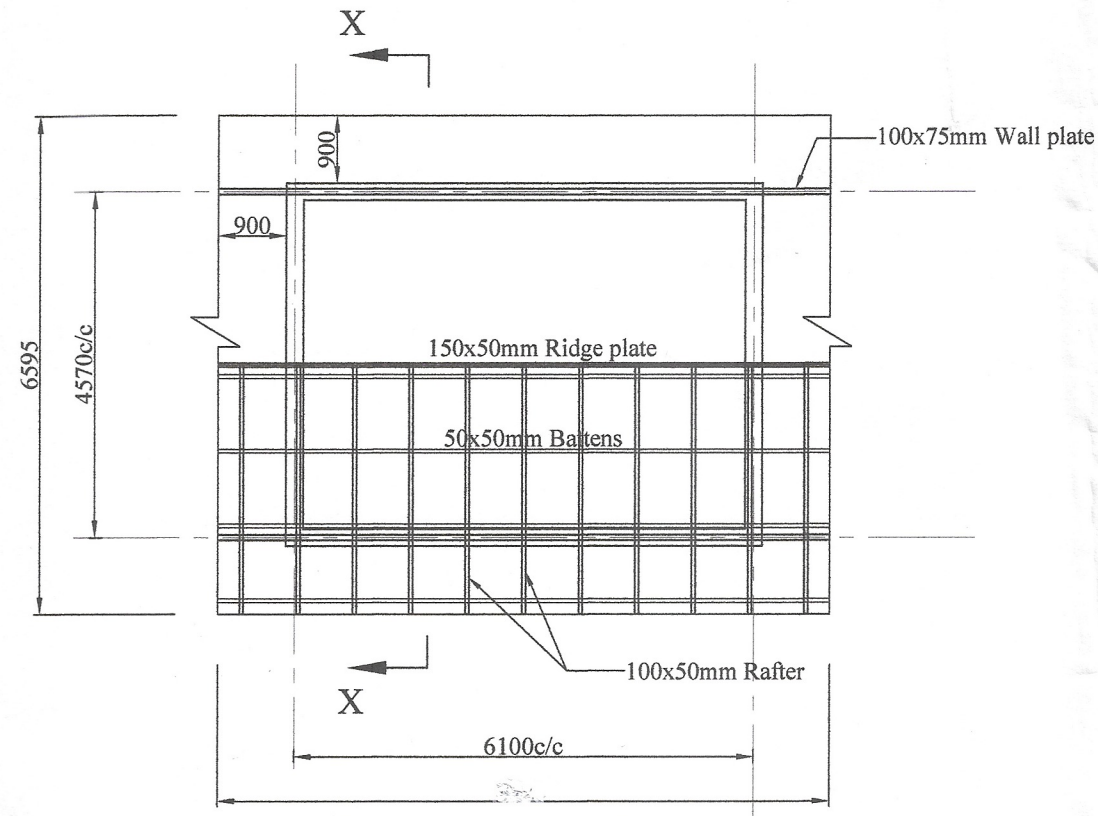
All right reserved this work or any part of there of may not be reproduced without written permission of the Engineering Services Office of southern Provincial council.

Sheet No : 01
Drawing No : SPES/Rate23/Ro-13a
Scale : 1:100, 1:50, 1:20, 1:10
Date : 2023-09-07
Drawn By : *[Signature]*
(Kumari Gabriel)

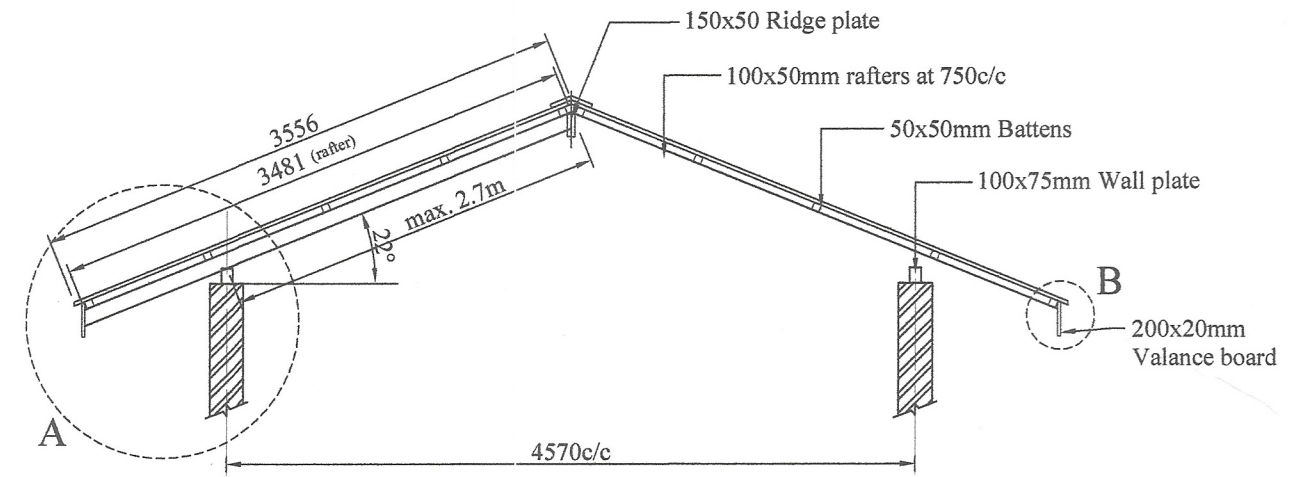
Checked By : *[Signature]*
(S.P.Welthasinghe)
D.O.A. : *[Signature]*
(G.N.R.Ekanayake)
Technical Officer : *[Signature]*
(L.W.Hemara)
Design Engineer : *[Signature]*
(Eng. N.M.S.Munasinghe)
Director (Engineer) : *[Signature]*
(Eng. C.B.Abdurezaq)

DETAILED DRAWING
(RATE ANALYSIS)

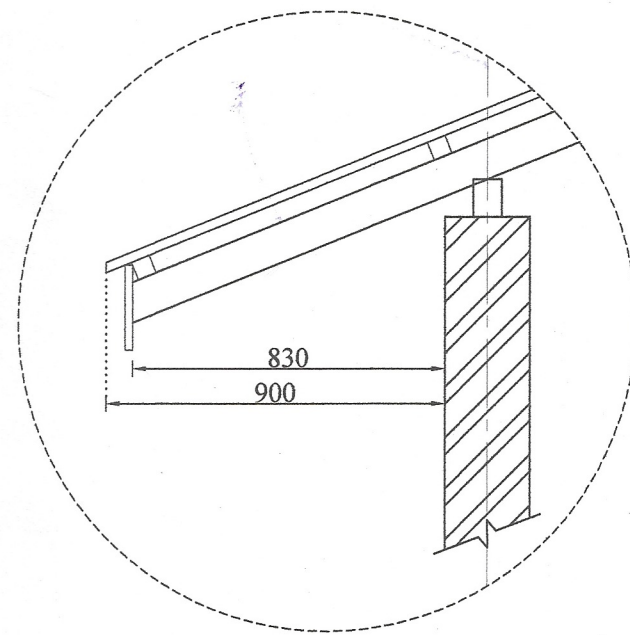
ENGINEERING SERVICES OFFICE,
SOUTHERN PROVINCIAL COUNCIL, GALLE.
Tel: 09122-42786 / 09122-42785 / 09122-46161 / 09122-33125 / 09122-48282 / 09122-33145
Fax: 09122-42786 / 09122-42785 / 09122-46161 / 09122-33125 E-mail: engserv@spes.gov.lk



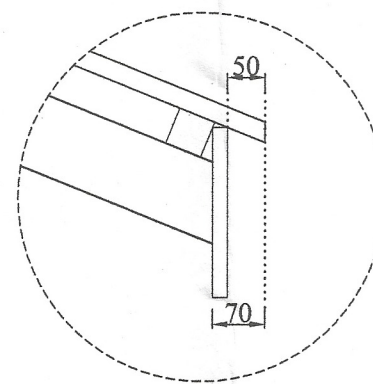
PLAN
Scale 1:100



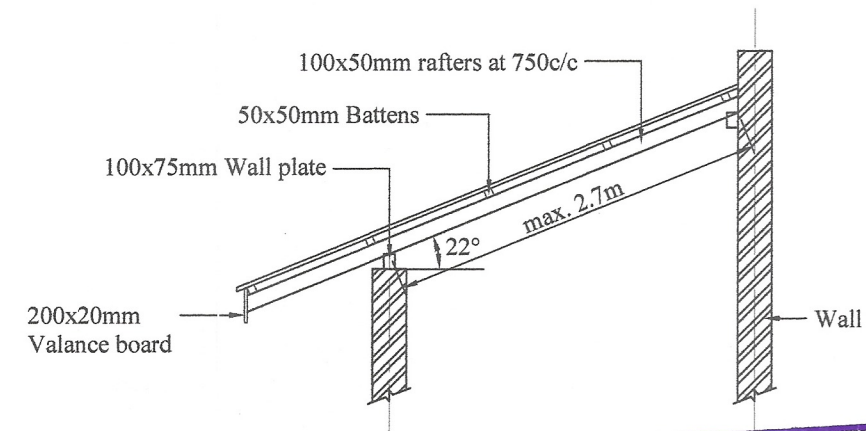
SECTION X - X
Scale 1:50



DETAIL AT "A"
Scale - 1:20



DETAIL AT "B"
Scale - 1:10



SECTION
Scale 1:50

No any alteration is allowed without due permission of DCS(Eng). Any unauthorized alteration is subjected to have disciplinary action. Re-production is not permitted.
DCS(Eng)

ASBESTOS SHEET ROOF
PITCH 22°

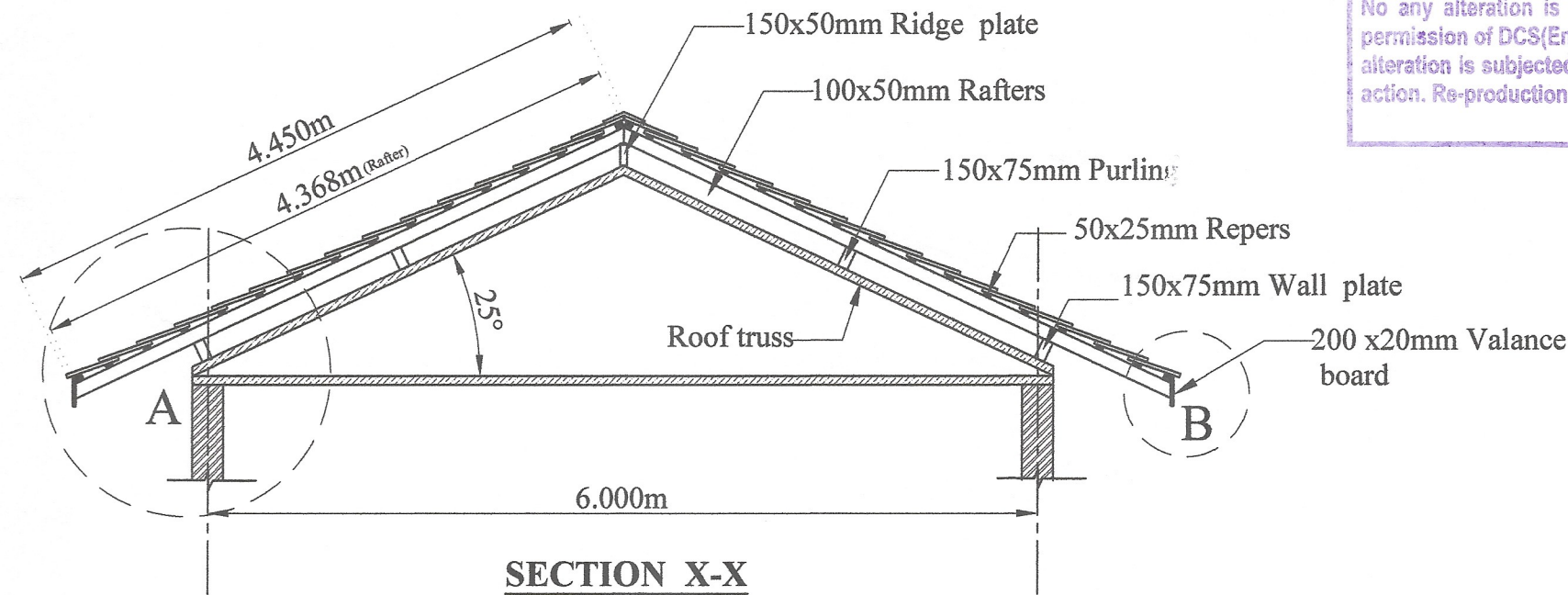
All right reserved this work or any part of there of may not be reproduced without written permission of the Engineering Services Office of Southern Provincial Council.

Sheet No : 01	Checked By : <i>Skyann</i> (S.P. Weerasinghe)
Drawing No : SPES / Rate 23 / Ro - 14	D.O.A. : <i>C.P.</i> (G.N.R. Ekanayake)
Scale : 1:100, 1:50	Engineer Assistant : <i>A.S.</i> (H.K.S. Premaratne)
Date : 2023-08-09	Design Engineer : <i>N.A.</i> (Eng. N.M.S. Mananayake)
Drawn By : Monali	Director (Engineering) : <i>C.B.</i> (Eng. C.B. Abeyaratne)

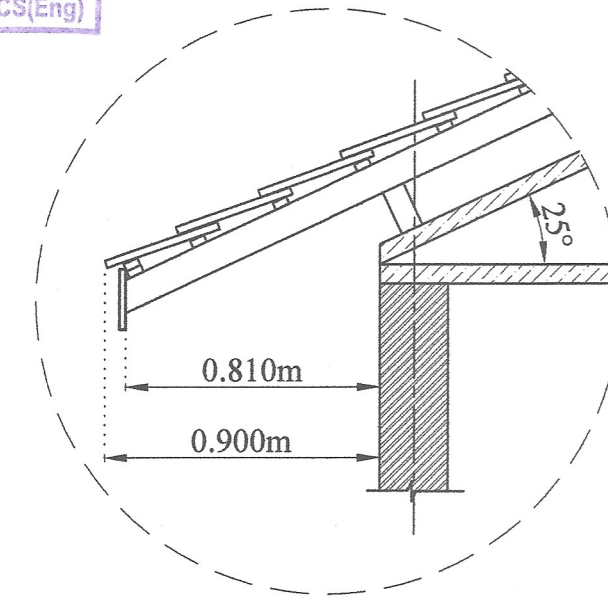
DETAILED DRAWING
(RATE ANALYSIS)

ENGINEERING SERVICES OFFICE.
SOUTHERN PROVINCIAL COUNCIL, GALLE.
Tel: 09122-42788 / 09122-42789 / 09122-49161 / 09122-50125 / 09122-48392 / 0902385745
Fax: 09122-42788 / 09122-42789 / 09122-49161 / 09122-50125 E-mail: engserv@spc.gov.lk

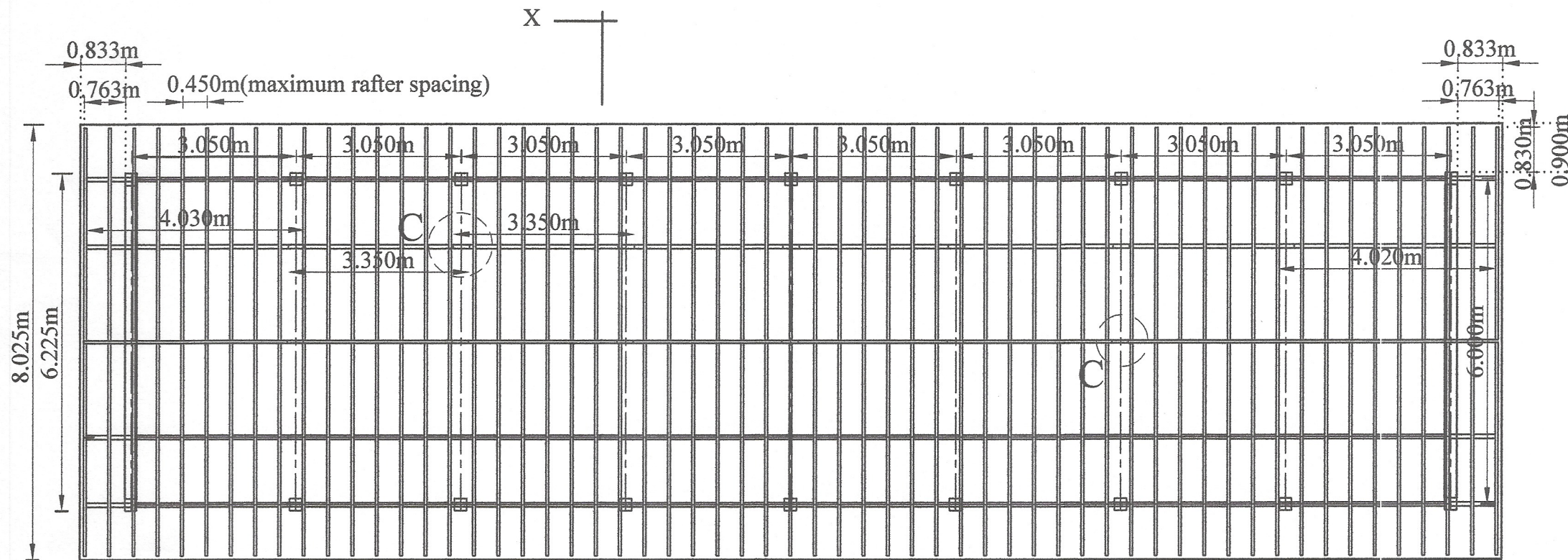
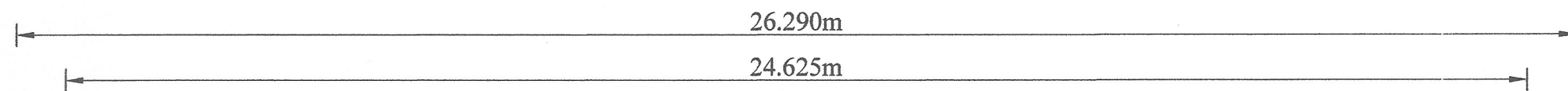
No any alteration is allowed without due permission of DCS(Eng). Any unauthorized alteration is subjected to have disciplinary action. Re-production is not permitted.
DCS(Eng)



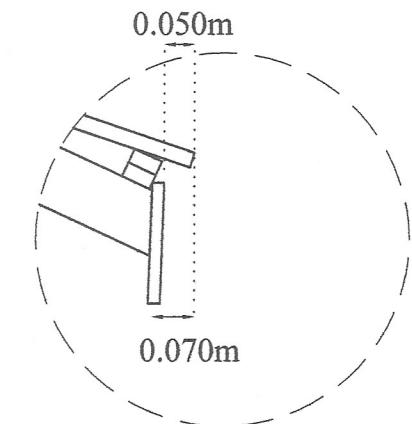
SECTION X-X
Scale :- 1:50



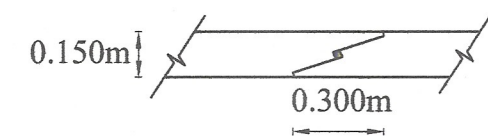
DETAIL AT "A"
Scale :- 1:20



CALICUT TILE ROOF PLAN
Scale :- 1:100



DETAIL AT "B"
Scale :- 1:10



DETAIL AT "C"

DETAILS OF SINGLE STORIED BUILDING
CALICUT TILE ROOF
(18m x 6m , 24m x 6m)
(60'- 0" x 20'- 0" , 80'-0" x 20'-0")

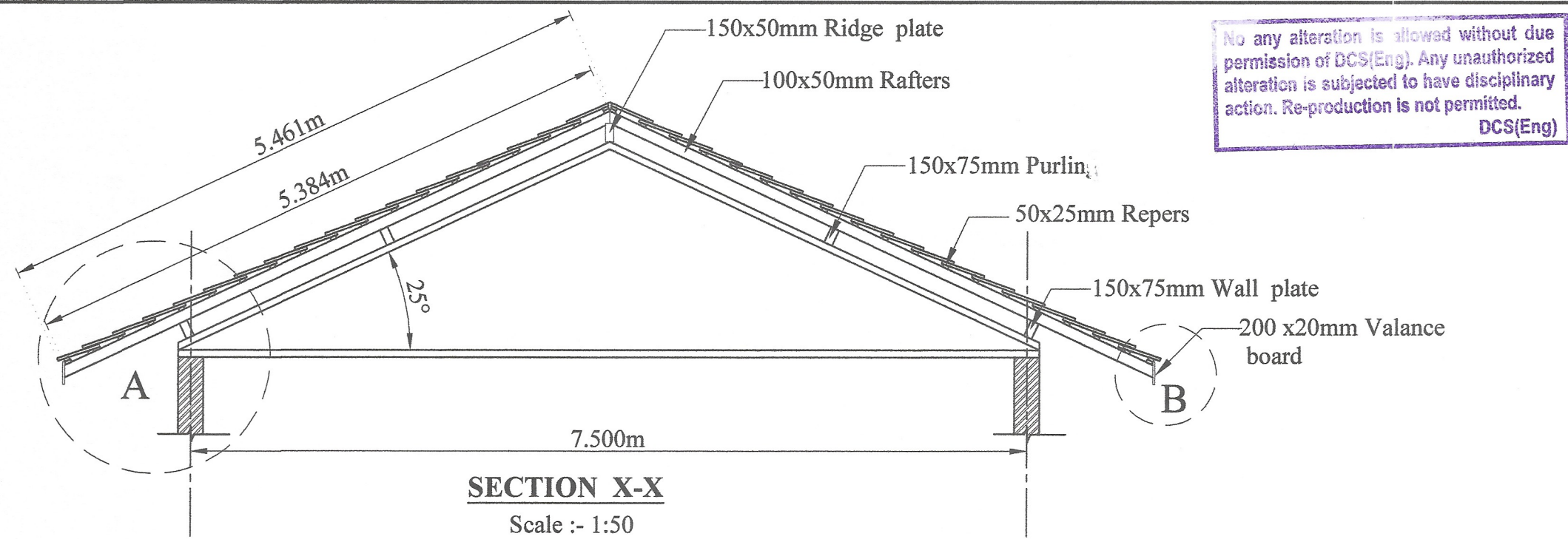
All right reserved this work or any part of there of may not be reproduced without written permission of the Engineering Services Office of southern Provincial council.

Sheet No : 01	Checked By : <i>Skjann</i> (S.P.Wedthasinghe)
Drawing No : SPES/Rate23/Ro-16	D.O.A. : <i>C.Dashik</i> (G.N.R.Bhansayake)
Scale : 1:100, 1:50, 1:20, 1:10	Technical Officer : <i>[Signature]</i> (L.W.Hematha)
Date : 2023-09-07	Design Engineer : <i>N. Nayan</i> (Eng. N.M.S.Munasinghe)
Drawn By : <i>[Signature]</i> (Kumari Gebriel)	Director (Engineer) : <i>C.B.AB</i> (Eng. C.B.Ahmed)

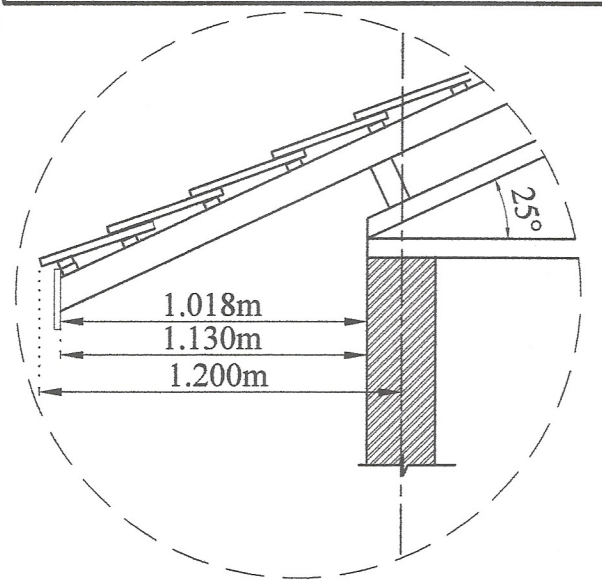
DETAILED DRAWING
(RATE ANALYSIS)

ENGINEERING SERVICES OFFICE.
SOUTHERN PROVINCIAL COUNCIL, GALLE.
Tel- 09122-42786 / 09122-42785 / 09122-46161 / 09122-33125 / 09122-46282 / 09122-58745
FAX- 09122-42786 / 09122-42785 / 09122-46161 / 09122-33125 E-mail-engserv@yaho.com

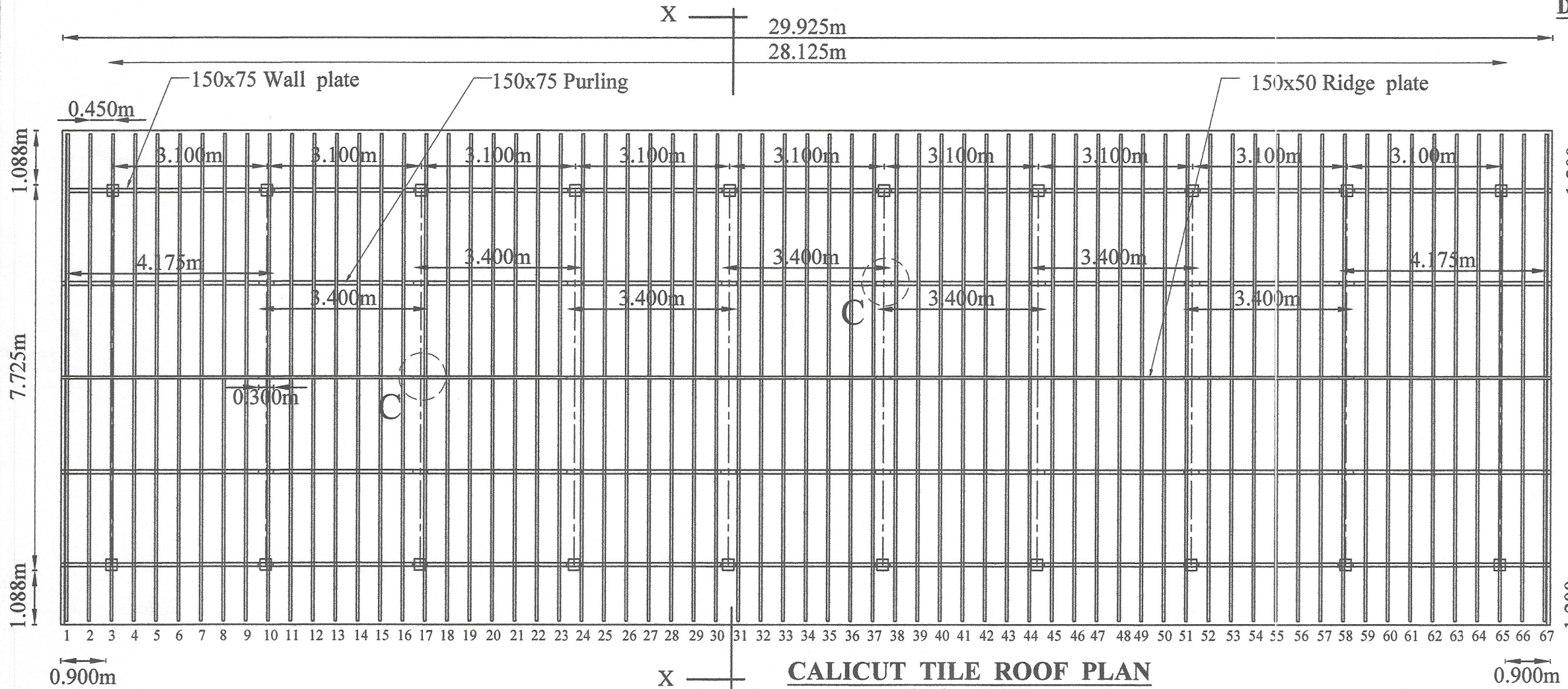
No any alteration is allowed without due permission of DCS(Eng). Any unauthorized alteration is subjected to have disciplinary action. Re-production is not permitted.
DCS(Eng)



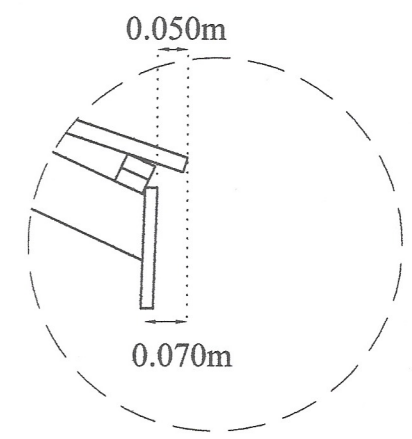
SECTION X-X
Scale :- 1:50



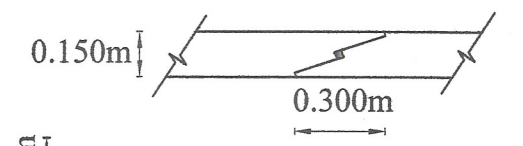
DETAIL AT "A"
Scale :- 1:20



CALICUT TILE ROOF PLAN
Scale :- 1:100



DETAIL AT "B"
Scale :- 1:10



DETAIL AT "C"
Scale :- 1:20

DETAILS OF ABOVE SINGLE STORIED BUILDING
CALICUT TILE ROOF
(27m x7.5m)
(90'- 0 x 25'- 0)

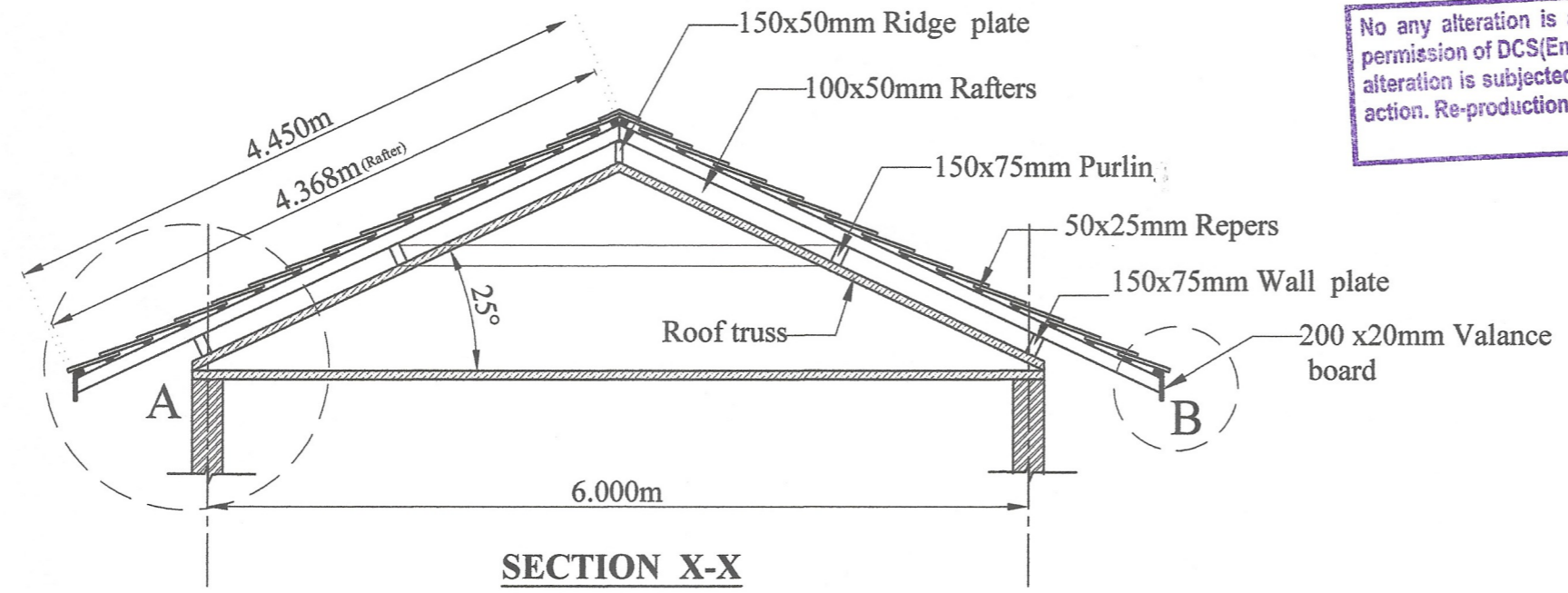
All right reserved this work or any part of there of may not be reproduced without written permission of the Engineering Services Office of southern Provincial council.

Sheet No : 01	Checked By : <i>Shyama</i> (S.P.Wethasinghe)
Drawing No : SPES/Rate23/Ro-16a	D.O.A. : <i>C.Deshila</i> (G.N.R.Ekanayake)
Scale : 1:100, 1:50, 1:20, 1:10	Technical Officer : <i>[Signature]</i> (L.W.Hemanta)
Date : 2023-09-07	Design Engineer : <i>N.M.S.Munasinghe</i> (Eng. N.M.S.Munasinghe)
Drawn By : <i>[Signature]</i> (Kumari Gebriel)	Director (Engineer) : <i>C.B.Aj</i> (Eng. C.B.Ajayadeera)

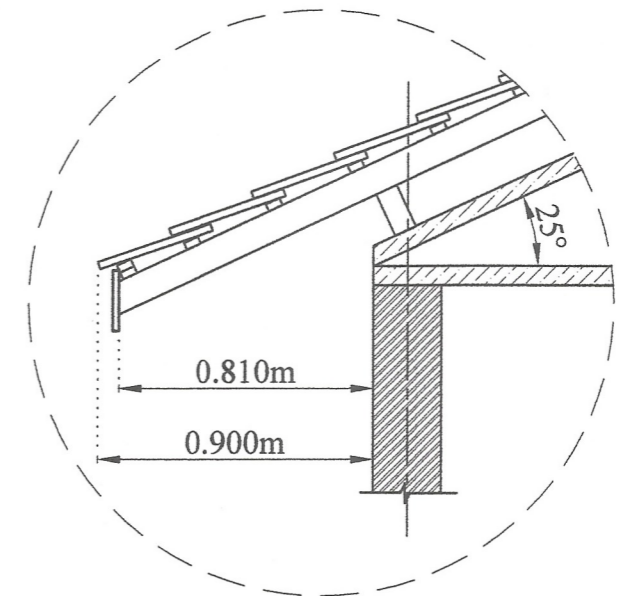
DETAILED DRAWING
(RATE ANALYSIS)

ENGINEERING SERVICES OFFICE.
SOUTHERN PROVINCIAL COUNCIL, GALLE.
Tel- 09122-42786 / 09122-42785 / 09122-48181 / 09122-33125 / 09122-48282 / 09122-33125
Fax- 09122-42786 / 09122-42785 / 09122-48181 / 09122-33125 E-mail-engservicesp@yahoo.com

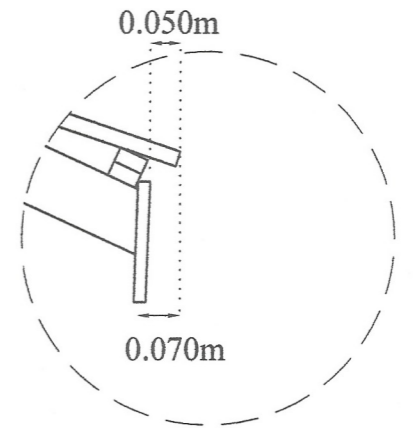
No any alteration is allowed without due permission of DCS(Eng). Any unauthorized alteration is subjected to have disciplinary action. Re-production is not permitted.
DCS(Eng)



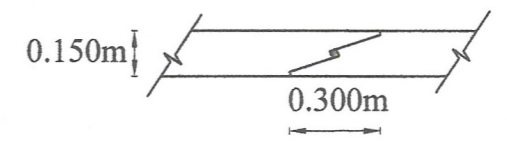
SECTION X-X
Scale :- 1:50



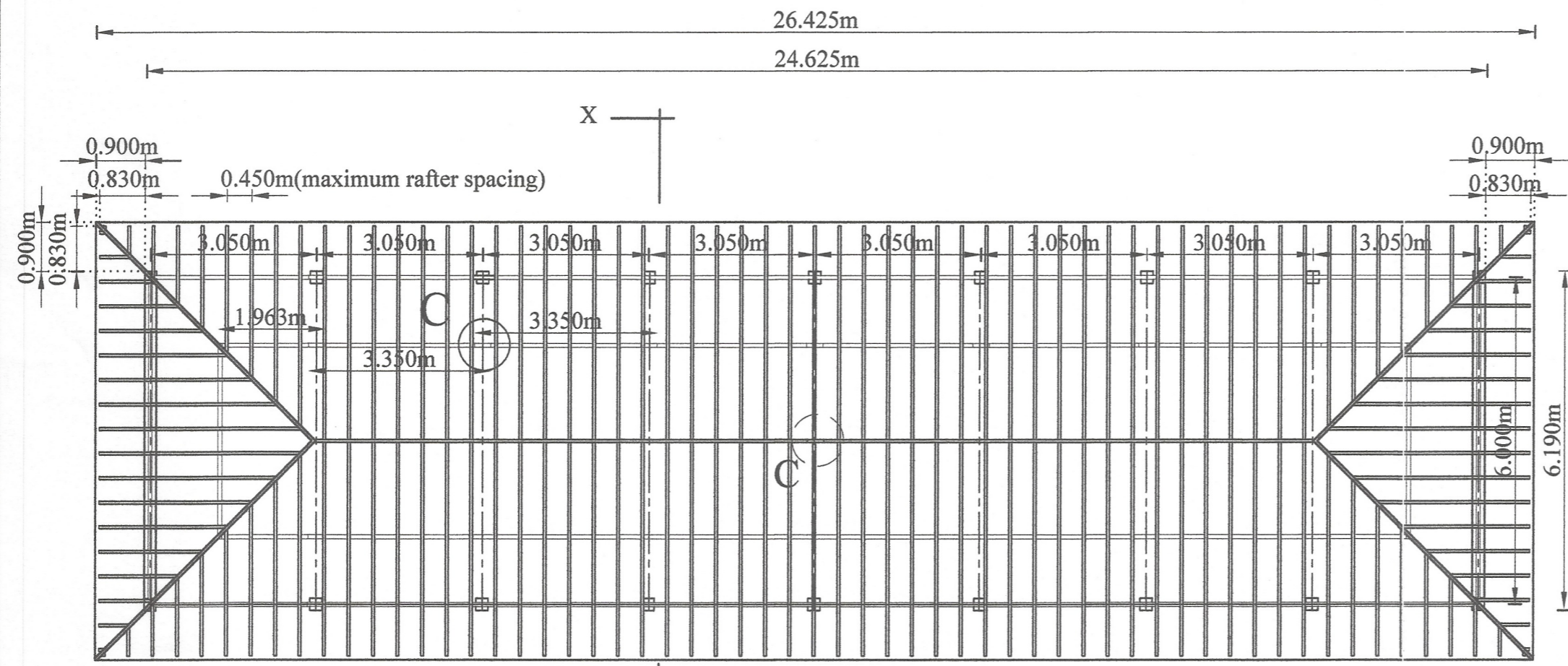
DETAIL AT "A"
Scale :- 1:20



DETAIL AT "B"
Scale :- 1:10



DETAIL AT "C"



CALICUT TILE HIP ROOF PLAN
Scale :- 1:100

DETAILS OF SINGLE STORIED BUILDING
CALICUT TILE HIP ROOF
(18m x 6m , 24m x 6m)
(60'- 0" x 20'- 0" , 80'-0" x 20'-0")

All right reserved this work or any part of there of may not be reproduced without written permission of the Engineering Services Office of southern Provincial council.

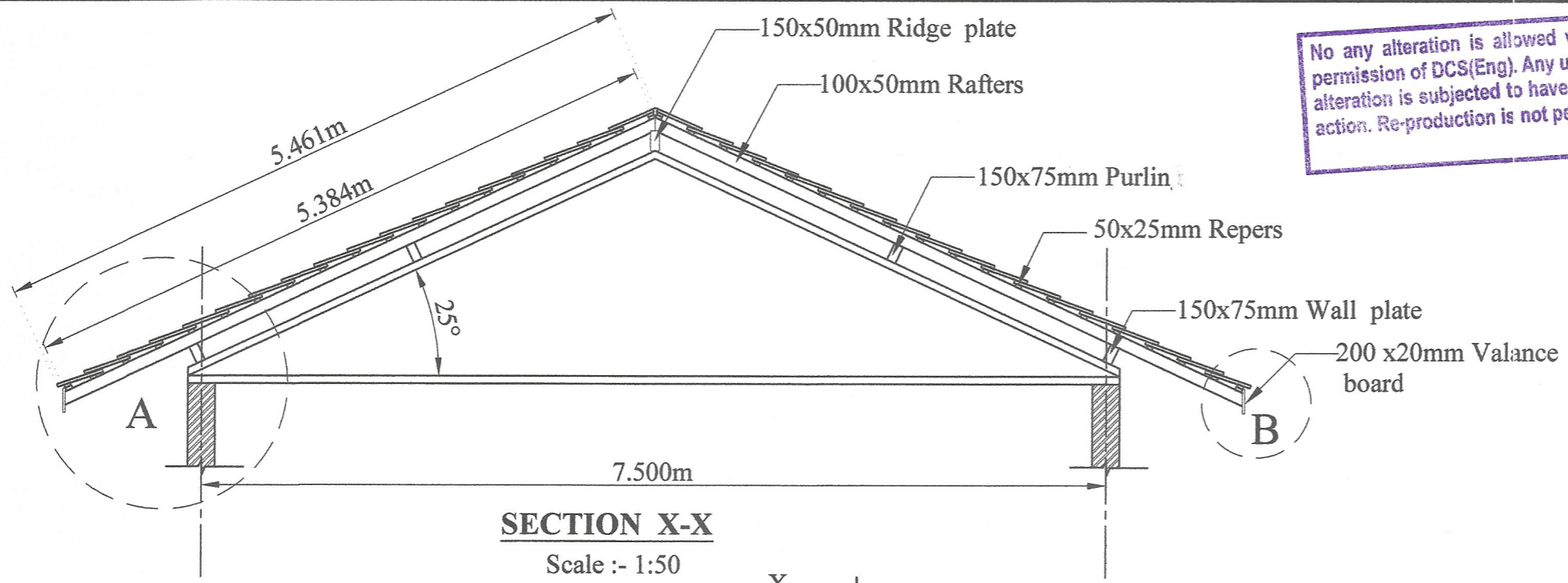
Sheet No : 01	Checked By : <i>S. Jayan</i> (S.P.Welthasinghe)
Drawing No : SPES/Rate23/Ro-18	D.O.A. : <i>C. Rashik</i> (G.N.R.Elansayake)
Scale : 1:100, 1:50, 1:20, 1:10	Technical Officer : <i>[Signature]</i> (L.W.Hemantika)
Date : 2023-09-07	Design Engineer : <i>N. Manjari</i> (Eng. N.M.S.Munasinghe)
Drawn By : <i>[Signature]</i> (Kumari Geetha)	Director (Engineer) : <i>C.B.A.</i> (Eng. C.B.Ahmedera)

DETAILED DRAWING
(RATE ANALYSIS)

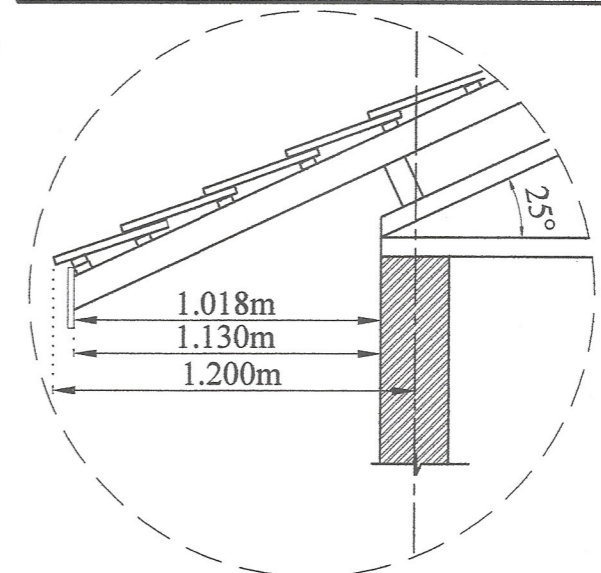
ENGINEERING SERVICES OFFICE,
SOUTHERN PROVINCIAL COUNCIL, GALLE.

Tel: 09122-42786 / 09122-42785 / 09122-46161 / 09122-33125 / 09122-48282 / 0922693745
FAX: 09122-42786 / 09122-42785 / 09122-46161 / 09122-33125 E-mail: engserv@spc.gov.lk

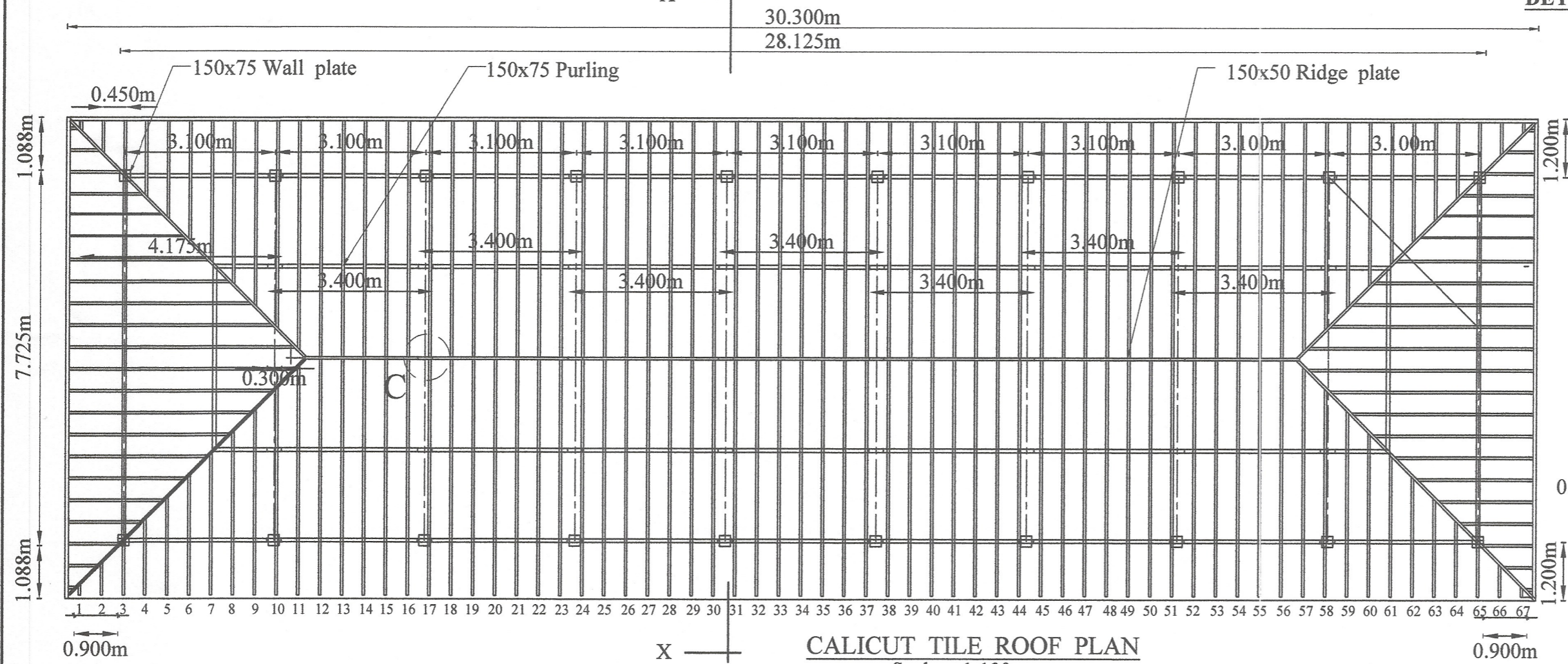
No any alteration is allowed without due permission of DCS(Eng). Any unauthorized alteration is subjected to have disciplinary action. Re-production is not permitted.
DCS(Eng)



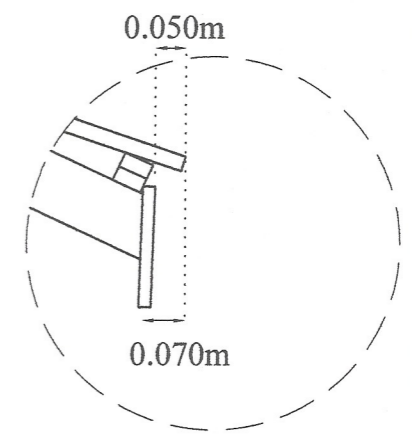
SECTION X-X
Scale :- 1:50



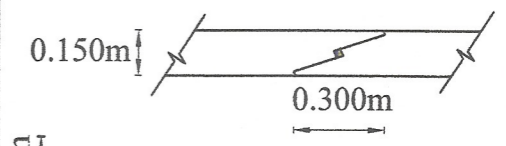
DETAIL AT "A"
Scale :- 1:20



CALICUT TILE ROOF PLAN
Scale :- 1:100



DETAIL AT "B"
Scale :- 1:10



DETAIL AT "C"
Scale :- 1:20

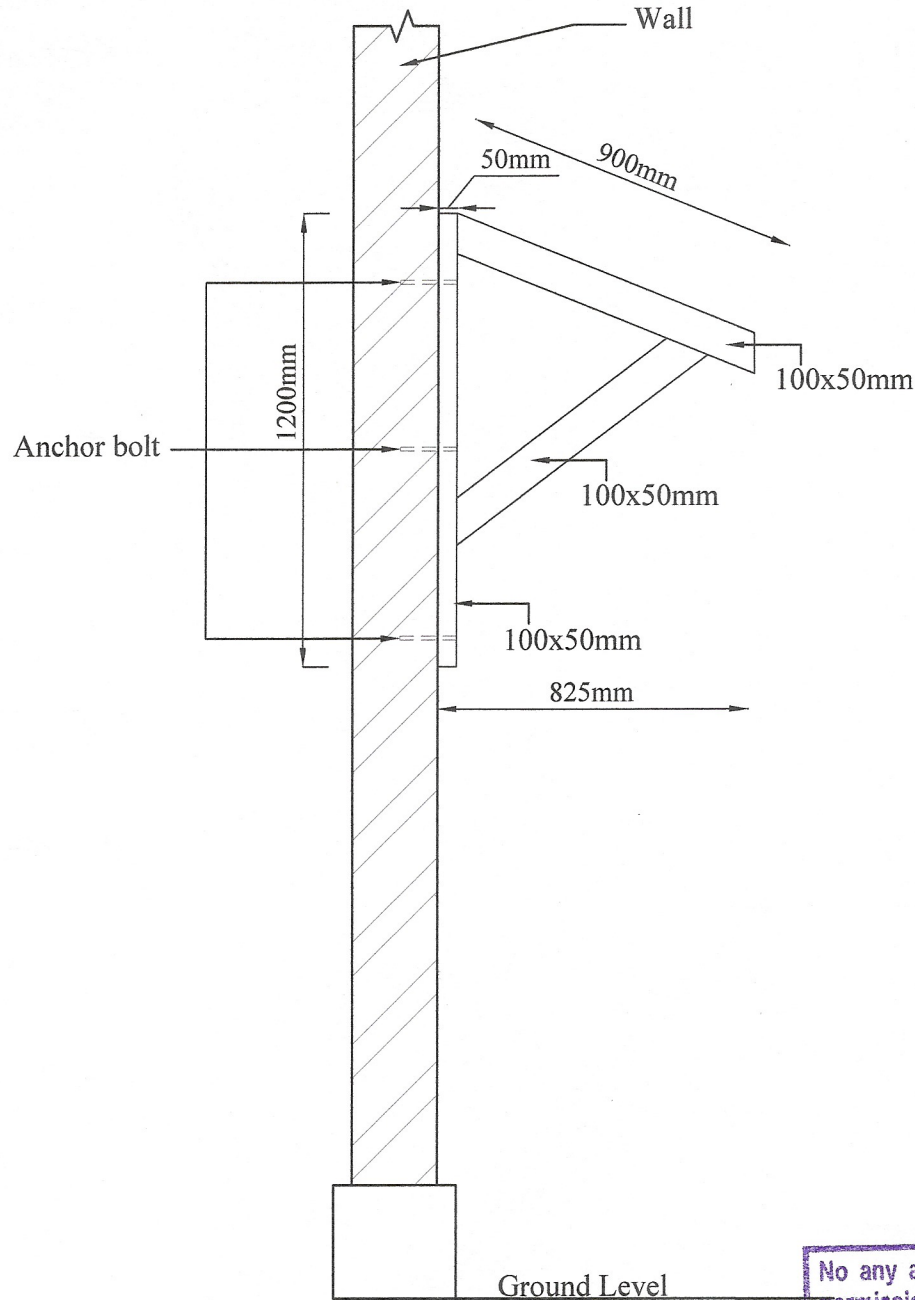
DETAILS OF ABOVE SINGLE STORIED BUILDING
CALICUT TILE HIP ROOF
(27m x7.5m)
(90'- 0 x 25'- 0)

All right reserved this work or any part of there of may not be reproduced without written permission of the Engineering Services Office of southern Provincial council.

Sheet No : 01	Checked By : <i>Shyama</i> (S.P.Wedthasinghe)
Drawing No : SPES/Rate23/Ro-18a	D.O.A. : <i>C.Dashik</i> (G.N.R.Ekanayake)
Scale : 1:100, 1:50, 1:20, 1:10	Technical Officer : <i>[Signature]</i> (L.W.Hemantha)
Date : 2023-09-07	Design Engineer : <i>N. Manjiri</i> (Eng. N.M.S.Munasinghe)
Drawn By : <i>[Signature]</i> (Kumari Gebriel)	Director (Engineer) : <i>[Signature]</i> (Eng. C.B.Ahayaarachchi)

DETAILED DRAWING
(RATE ANALYSIS)

ENGINEERING SERVICES OFFICE.
SOUTHERN PROVINCIAL COUNCIL, GALLE.
Tel: 09122-42786 / 09122-42789 / 09122-46181 / 09122-33125 / 09122-48282 / 09122-68745
FAX: 09122-42786 / 09122-42789 / 09122-46181 / 09122-33125 E-mail: engserv@spc.gov.lk



CANOPY DETAIL -01

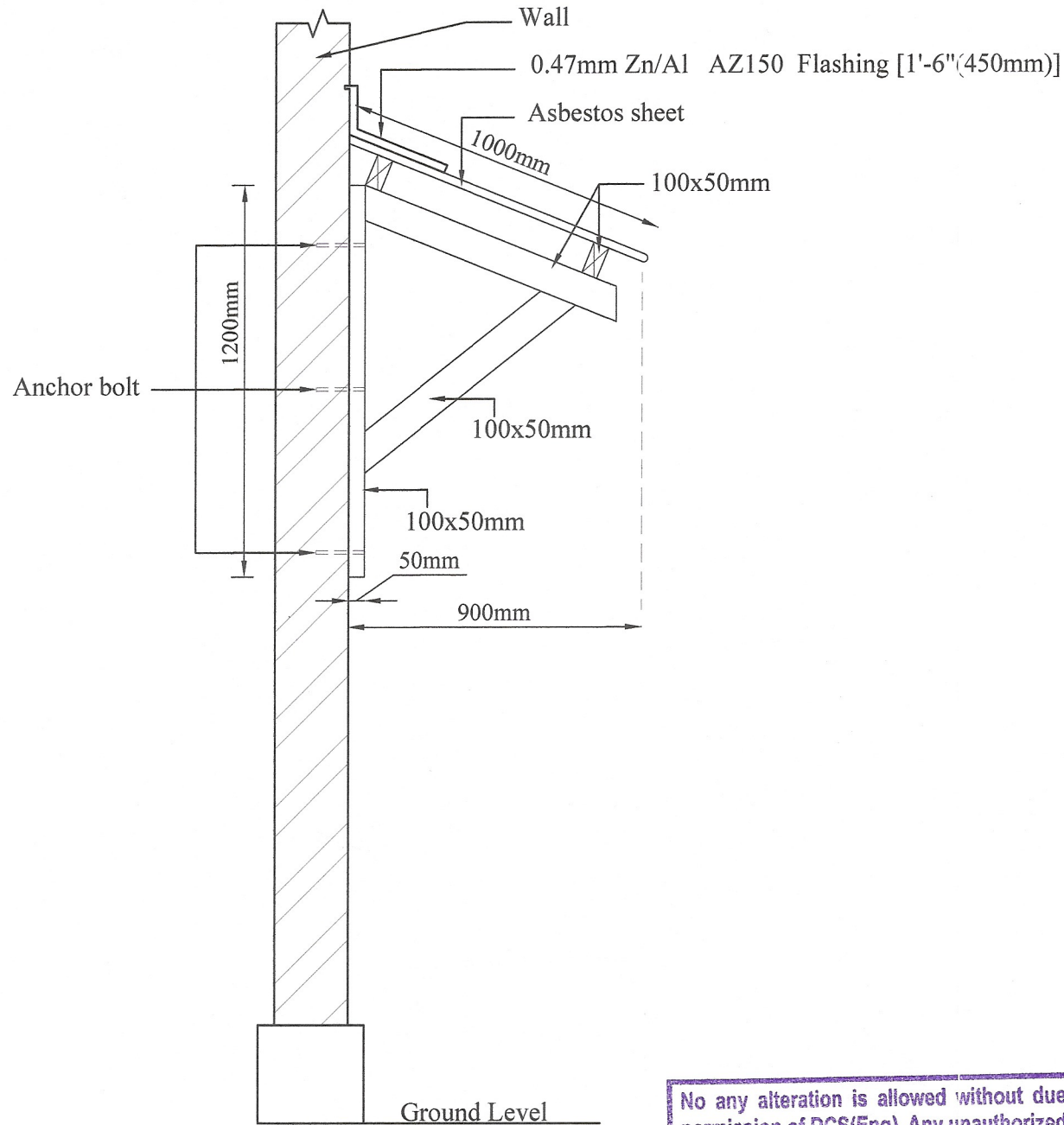
No any alteration is allowed without due permission of DCS(Eng). Any unauthorized alteration is subjected to have disciplinary action. Re-production is not permitted.
DCS(Eng)

CANOPY DETAIL

**DETAILED DRAWING
(RATE ANALYSIS)**

All right reserved this work or any part of there of may not be reproduced without written permission of the Engineering Services Office of southern Provincial council.

Sheet No : 01	Checked By : <i>S. Suman</i> (S.P. Wellitisinghe)
Drawing No : RO - 26	D.O.A. : <i>C. Dushika</i> (G.N.R. Ekampala)
Scale : 1 - 20	Engineer Assistant : <i>D.K.</i> (P.D.T.T. YAPA)
Date : 2023-06-05	Design Engineer : <i>N. M. Jayasinghe</i> (Eng. N.M.S. Muthasinghe)
Drawn By : <i>S. Suman</i> (SRUYANI)	Director (Engineer) : <i>C. A. R.</i> (Eng. C.R.Ahmedara)



CANOPY DETAIL -02

No any alteration is allowed without due permission of DCS(Eng). Any unauthorized alteration is subjected to have disciplinary action. Re-production is not permitted.
DCS(Eng)

CANOPY DETAIL

**DETAILED DRAWING
(RATE ANALYSIS)**

All right reserved this work or any part of there of may not be reproduced without written permission of the Engineering Services Office of southern Provincial council.

Sheet No : 01	Checked By : <i>S. P. Weerasinghe</i> (S.P. Weerasinghe)
Drawing No : RO - 27	D.O.A. : <i>C. D. Ashik</i> (G.N.R. Ekanayake)
Scale : 1 - 20	Engineer Assistant : <i>D. H.</i> (P.D.T.T. YAPA)
Date : 2023-06-05	Design Engineer : <i>N. M. Jayasinghe</i> (Eng. N.M.S. Muralasinghe)
Drawn By : <i>S. P. Weerasinghe</i> (SRIYANI)	Director (Engineer) : <i>I. B. J.</i> (Eng. C.B. Abeyaratne)