

DETAIL OF A

RETAINING WALL CROSS SECTION

**PLUM CONCRETE RETAINING WALL FORM WORK
(Ply wood Sheet)**

No alteration is allowed without due permission of DCS(Eng). Any unauthorized alteration is subjected to have disciplinary action. Re-production is not permitted.
DCS(Eng)

FROM WORK

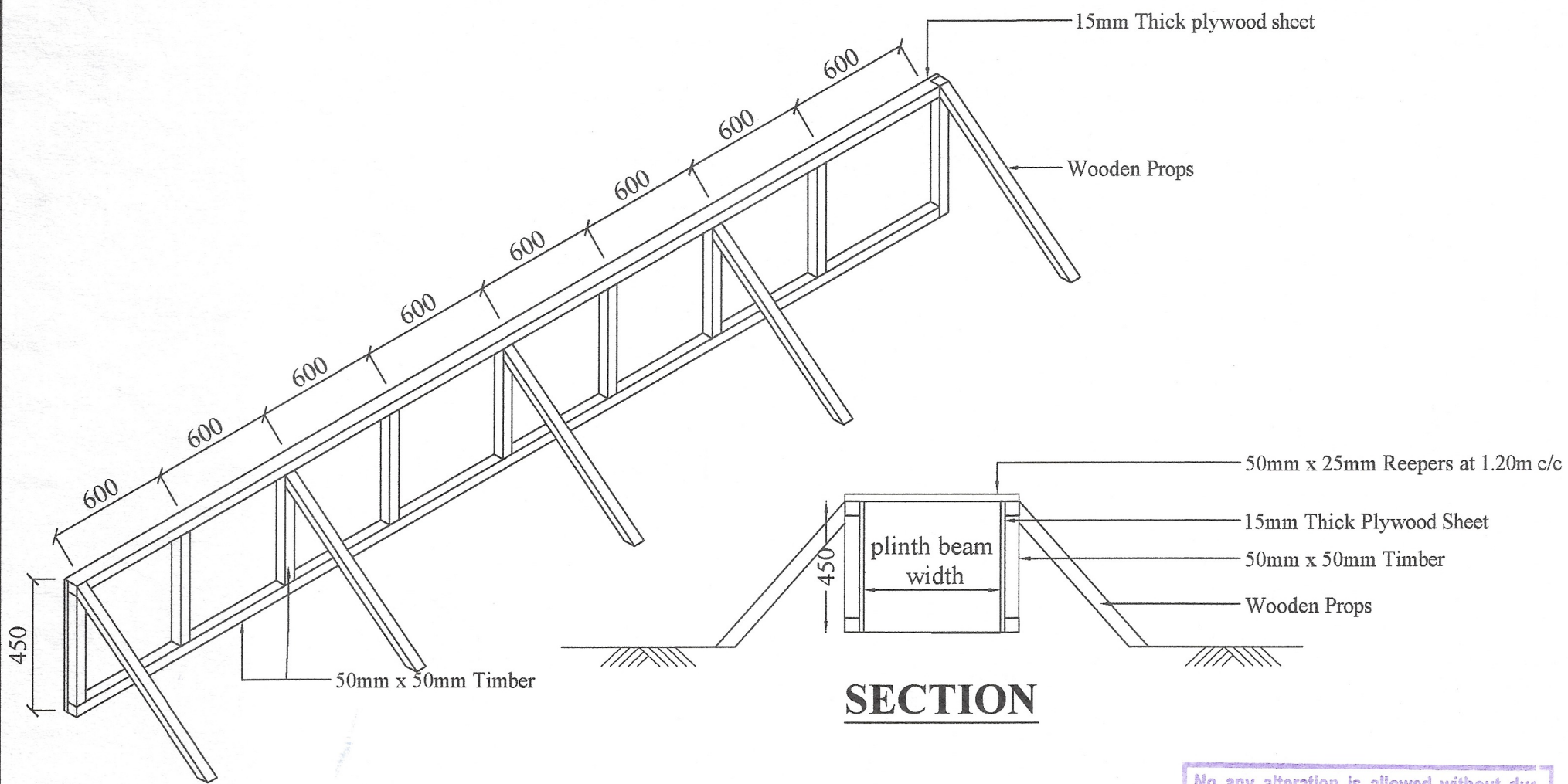
All right reserved this work or any part of there of may not be reproduced without written permission of the Engineering Services Office of southern Provincial council.

Sheet No : 01	Checked By : <i>Skyana</i> (S.P. Weerasinghe)
Drawing No : SPES / Rate 23 / Fw -01	D.O.A. : <i>C. Dashik</i> (G.N.R. Ekamunasinghe)
Scale : 1-70	Technical Officer : <i>[Signature]</i> (L.W. Hementh)
Date : 2021-0608	Design Engineer : <i>N. Manjiri</i> (Eng. N.M.S. Manjiri)
Drawn By : <i>[Signature]</i> (L.P. Ganage)	Director (Engineer) : <i>C.A.A.</i> (Eng. C.B. Abayudom)

**DETAILED DRAWING
(RATE ANALYSIS)**

ENGINEERING SERVICES OFFICE.
SOUTHERN PROVINCIAL COUNCIL, GALLE.

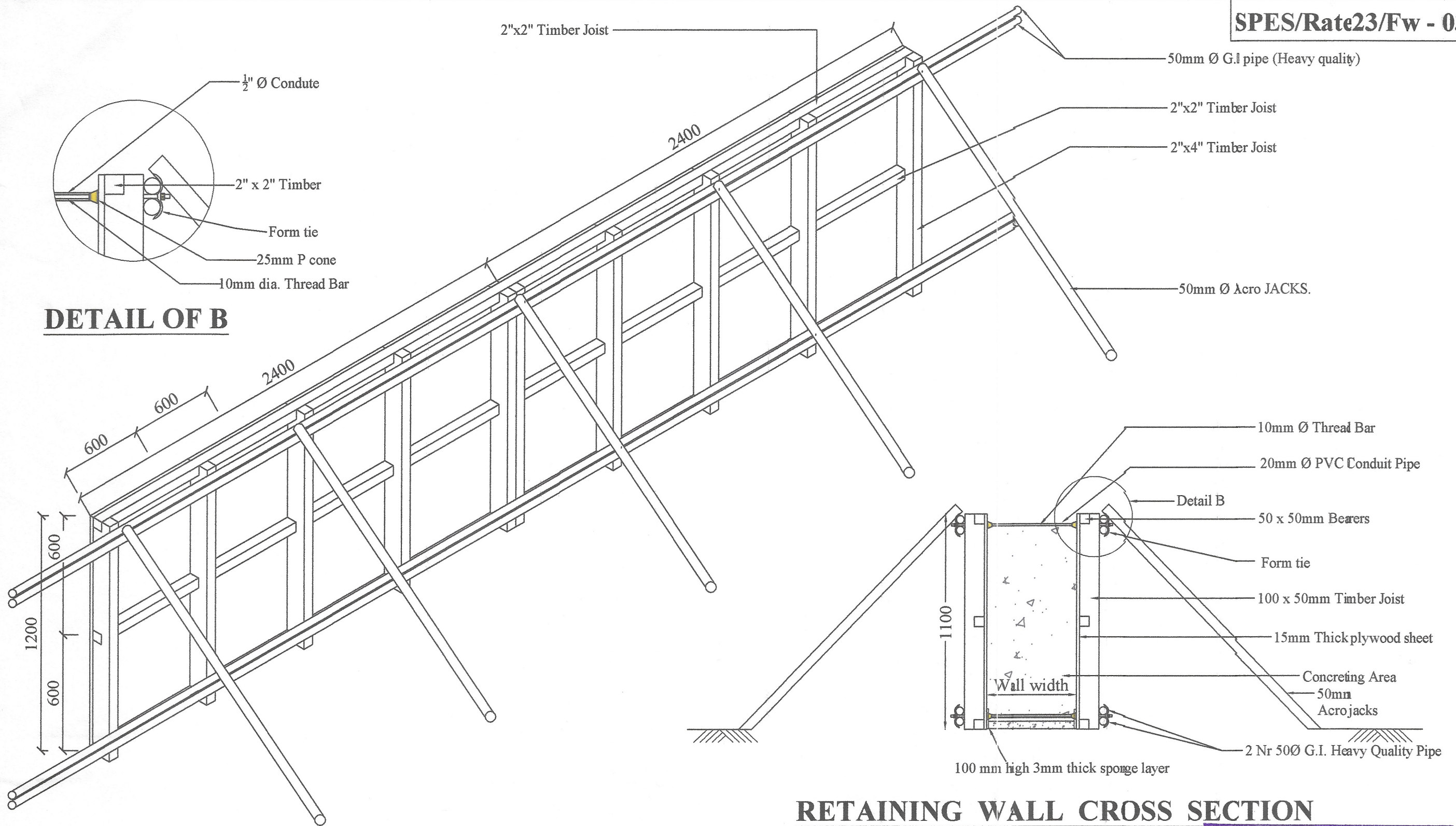
Tel- 09122-42788 / 09122-42789 / 09122-40191 / 09122-39125 / 09122-48282 / 09122-39145
 FAX- 09122-42788 / 09122-42789 / 09122-40191 / 09122-39125 E-mail-esp@spco.gov.lk



PLINTH BEAM FORM WORK

No any alteration is allowed without due permission of DCS(Eng). Any unauthorized alteration is subjected to have disciplinary action. Re-production is not permitted.
DCS(Eng)

<u>PLINTH BEAM FORM WORK</u>	All right reserved this work or any part of there of may not be reproduced without written permission of the Engineering Services Office of southern Provincial council.	Sheet No : 01	Checked By : <i>Skyam</i> (S.P.Welthimaigne)	DETAILED DRAWING (RATE ANALYSIS)
		Drawing No : SPES / Rate 23 / Fw -02	D.O.A. : <i>(Signature)</i> (G.N.R.Elangala)	
		Scale : 1-20	Technical Officer : <i>(Signature)</i> (N.V.Hemanta)	ENGINEERING SERVICES OFFICE: SOUTHERN PROVINCIAL COUNCIL, GALLE. <small>Tel: 0912-42701 / 0912-42702 / 0912-42703 / 0912-42704 / 0912-42705 / 0912-42706 / 0912-42707 / 0912-42708 / 0912-42709 / 0912-42710 / 0912-42711 / 0912-42712 / 0912-42713 / 0912-42714 / 0912-42715 / 0912-42716 / 0912-42717 / 0912-42718 / 0912-42719 / 0912-42720 / 0912-42721 / 0912-42722 / 0912-42723 / 0912-42724 / 0912-42725 / 0912-42726 / 0912-42727 / 0912-42728 / 0912-42729 / 0912-42730 / 0912-42731 / 0912-42732 / 0912-42733 / 0912-42734 / 0912-42735 / 0912-42736 / 0912-42737 / 0912-42738 / 0912-42739 / 0912-42740 / 0912-42741 / 0912-42742 / 0912-42743 / 0912-42744 / 0912-42745 / 0912-42746 / 0912-42747 / 0912-42748 / 0912-42749 / 0912-42750 / 0912-42751 / 0912-42752 / 0912-42753 / 0912-42754 / 0912-42755 / 0912-42756 / 0912-42757 / 0912-42758 / 0912-42759 / 0912-42760 / 0912-42761 / 0912-42762 / 0912-42763 / 0912-42764 / 0912-42765 / 0912-42766 / 0912-42767 / 0912-42768 / 0912-42769 / 0912-42770 / 0912-42771 / 0912-42772 / 0912-42773 / 0912-42774 / 0912-42775 / 0912-42776 / 0912-42777 / 0912-42778 / 0912-42779 / 0912-42780 / 0912-42781 / 0912-42782 / 0912-42783 / 0912-42784 / 0912-42785 / 0912-42786 / 0912-42787 / 0912-42788 / 0912-42789 / 0912-42790 / 0912-42791 / 0912-42792 / 0912-42793 / 0912-42794 / 0912-42795 / 0912-42796 / 0912-42797 / 0912-42798 / 0912-42799 / 0912-42800 / 0912-42801 / 0912-42802 / 0912-42803 / 0912-42804 / 0912-42805 / 0912-42806 / 0912-42807 / 0912-42808 / 0912-42809 / 0912-42810 / 0912-42811 / 0912-42812 / 0912-42813 / 0912-42814 / 0912-42815 / 0912-42816 / 0912-42817 / 0912-42818 / 0912-42819 / 0912-42820 / 0912-42821 / 0912-42822 / 0912-42823 / 0912-42824 / 0912-42825 / 0912-42826 / 0912-42827 / 0912-42828 / 0912-42829 / 0912-42830 / 0912-42831 / 0912-42832 / 0912-42833 / 0912-42834 / 0912-42835 / 0912-42836 / 0912-42837 / 0912-42838 / 0912-42839 / 0912-42840 / 0912-42841 / 0912-42842 / 0912-42843 / 0912-42844 / 0912-42845 / 0912-42846 / 0912-42847 / 0912-42848 / 0912-42849 / 0912-42850 / 0912-42851 / 0912-42852 / 0912-42853 / 0912-42854 / 0912-42855 / 0912-42856 / 0912-42857 / 0912-42858 / 0912-42859 / 0912-42860 / 0912-42861 / 0912-42862 / 0912-42863 / 0912-42864 / 0912-42865 / 0912-42866 / 0912-42867 / 0912-42868 / 0912-42869 / 0912-42870 / 0912-42871 / 0912-42872 / 0912-42873 / 0912-42874 / 0912-42875 / 0912-42876 / 0912-42877 / 0912-42878 / 0912-42879 / 0912-42880 / 0912-42881 / 0912-42882 / 0912-42883 / 0912-42884 / 0912-42885 / 0912-42886 / 0912-42887 / 0912-42888 / 0912-42889 / 0912-42890 / 0912-42891 / 0912-42892 / 0912-42893 / 0912-42894 / 0912-42895 / 0912-42896 / 0912-42897 / 0912-42898 / 0912-42899 / 0912-42900 / 0912-42901 / 0912-42902 / 0912-42903 / 0912-42904 / 0912-42905 / 0912-42906 / 0912-42907 / 0912-42908 / 0912-42909 / 0912-42910 / 0912-42911 / 0912-42912 / 0912-42913 / 0912-42914 / 0912-42915 / 0912-42916 / 0912-42917 / 0912-42918 / 0912-42919 / 0912-42920 / 0912-42921 / 0912-42922 / 0912-42923 / 0912-42924 / 0912-42925 / 0912-42926 / 0912-42927 / 0912-42928 / 0912-42929 / 0912-42930 / 0912-42931 / 0912-42932 / 0912-42933 / 0912-42934 / 0912-42935 / 0912-42936 / 0912-42937 / 0912-42938 / 0912-42939 / 0912-42940 / 0912-42941 / 0912-42942 / 0912-42943 / 0912-42944 / 0912-42945 / 0912-42946 / 0912-42947 / 0912-42948 / 0912-42949 / 0912-42950 / 0912-42951 / 0912-42952 / 0912-42953 / 0912-42954 / 0912-42955 / 0912-42956 / 0912-42957 / 0912-42958 / 0912-42959 / 0912-42960 / 0912-42961 / 0912-42962 / 0912-42963 / 0912-42964 / 0912-42965 / 0912-42966 / 0912-42967 / 0912-42968 / 0912-42969 / 0912-42970 / 0912-42971 / 0912-42972 / 0912-42973 / 0912-42974 / 0912-42975 / 0912-42976 / 0912-42977 / 0912-42978 / 0912-42979 / 0912-42980 / 0912-42981 / 0912-42982 / 0912-42983 / 0912-42984 / 0912-42985 / 0912-42986 / 0912-42987 / 0912-42988 / 0912-42989 / 0912-42990 / 0912-42991 / 0912-42992 / 0912-42993 / 0912-42994 / 0912-42995 / 0912-42996 / 0912-42997 / 0912-42998 / 0912-42999 / 0912-43000</small>
		Date : 2023-06-08	Design Engineer : <i>(Signature)</i> (Eng. N.M.M. Munsinghe)	
		Drawn By : <i>(Signature)</i> (L.P. Gamage)	Director (Engineer) : <i>(Signature)</i> (Eng. C.B. Akegaden)	



DETAIL OF B

RETAINING WALL CROSS SECTION

**R/F CONCRETE RETAINING WALL FORM WORK
(Plywood Sheet)**

No any alteration is allowed without due permission of DCS(Eng). Any unauthorized alteration is subjected to have disciplinary action. Re-production is not permitted.
DCS(Eng)

FROM WORK

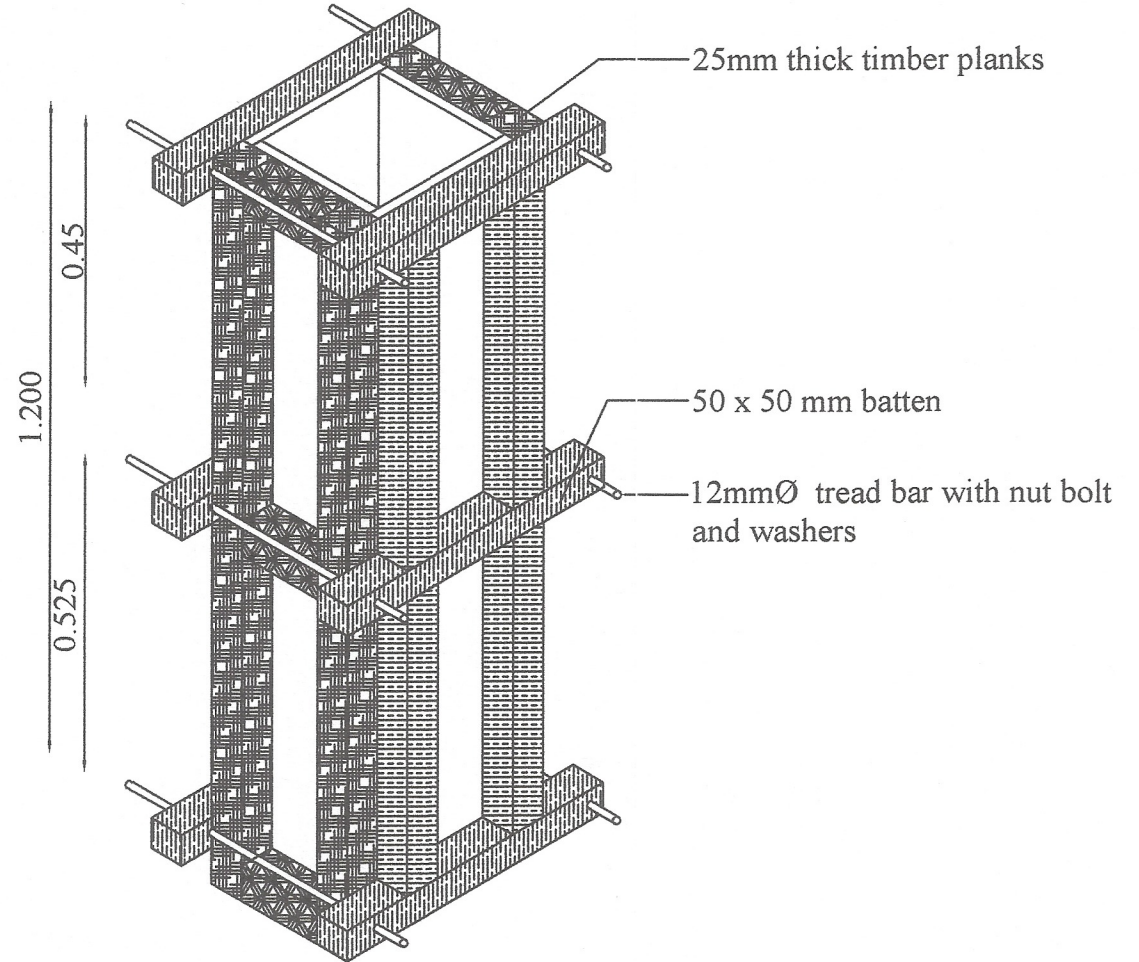
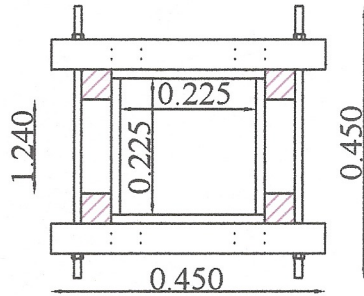
All right reserved this work or any part of there of may not be reproduced without written permission of the Engineering Services Office of southern Provincial council.

Sheet No : 01	Checked By : <i>Skyana</i> (S. P. Weerasinghe)
Drawing No : SPIS / Rate 23 / Fw -03	D.O.A : <i>G. Dashik</i> (G.N.R. Ekaramyale)
Scale : 1 : 10	Technical Officer : <i>[Signature]</i> (L.W. Hemaratne)
Date : 2023-0628	Design Engineer : <i>[Signature]</i> (Eng. N.M.S. Musingiye)
Drawn By : <i>[Signature]</i> (L. P. Gunge)	Director (Engineer) : <i>[Signature]</i> (Eng. C.B. Abayudana)

**DETAILED DRAWING
(RATE ANALYSIS)**

ENGINEERING SERVICES OFFICE.
SOUTHERN PROVINCIAL COUNCIL, GALLE.

Tel: 09122-42781 / 09122-42782 / 09122-4881 / 09122-33125 / 09122-45282 / 09122-33745
FAX: 09122-42781 / 09122-42782 / 09122-4881 / 09122-33125 E-mail: engmcs@spc.gov.lk



ELEVATION
COLUMN FORM WORK
(Timber)

No any alteration is allowed without due permission of DCS(Eng). Any unauthorized alteration is subjected to have disciplinary action. Re-production is not permitted.
DCS(Eng)

FROM WORK

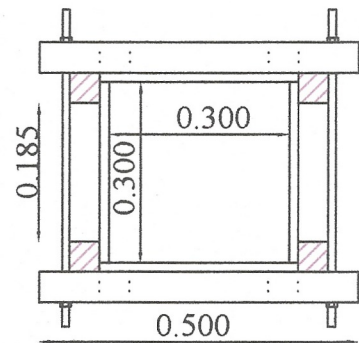
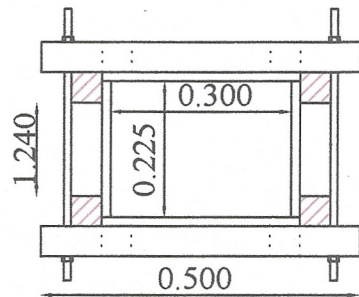
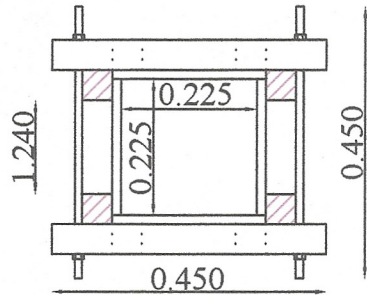
All right reserved this work or any part of there of may not be reproduced without written permission of the Engineering Services Office of southern Provincial council.

Sheet No : 01	Checked By (S.P.N. Mahalinga) : <i>S. Jayan</i>
Drawing No : SPES / Rate 23 / Fw -05	D.O.A. (G.N.B. Hanayake) : <i>C. D. Jayasinghe</i>
Scale : 1-20	Technical Officer (L.W. De Silva) : <i>[Signature]</i>
Date : 2023-06-08	Design Engineer (Eng. N. M. S. Mahalinga) : <i>N. M. S. Mahalinga</i>
Drawn By : <i>ey</i>	Director (Engineer) (Eng. I. R. Abeyaratne) : <i>C. B. Jayasinghe</i>

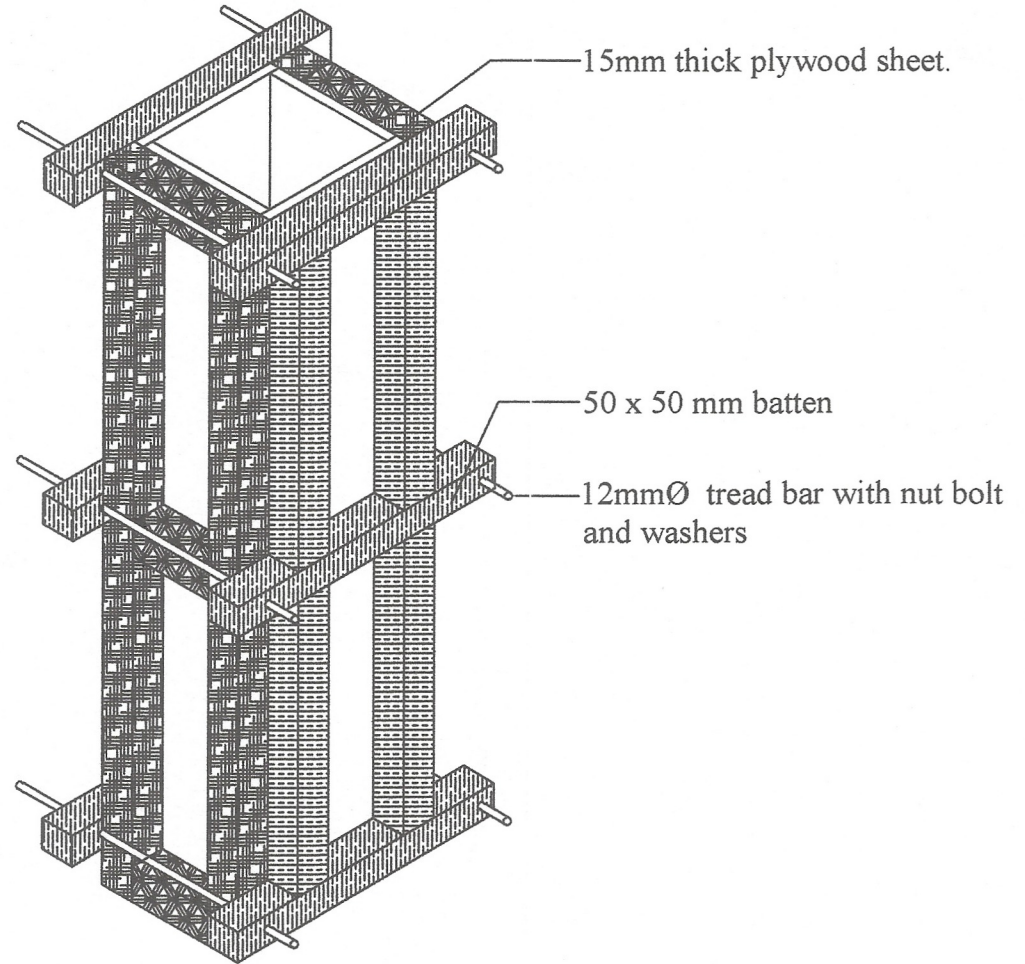
DETAILED DRAWING
(RATE ANALYSIS)

ENGINEERING SERVICES OFFICE.
SOUTHERN PROVINCIAL COUNCIL, GALLE

Tel: 01123-42768 / 01123-42767 / 01123-41011 / 01123-51257 / 01123-41032 / 01123-41033
Fax: 01123-42768 / 01123-42767 / 01123-41011 / 01123-51257 E-mail: esop@spes.gov.lk



PLAN



ELEVATION
COLUMN FORM WORK
(Plywood)

No any alteration is allowed without due permission of DCS(Eng). Any unauthorized alteration is subjected to have disciplinary action. Re-production is not permitted.
DCS(Eng)

FROM WORK

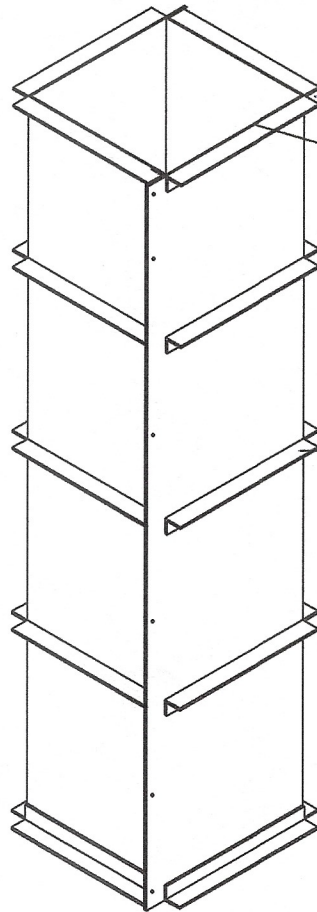
All right reserved this work or any part of there of may not be reproduced without written permission of the Engineering Services Office of southern Provincial council.

Sheet No : 01	Checked By : <i>S. Jayasiri</i>
Drawing No : SPES / Rate 23 / Fw -06	D.O.A. : <i>C. D. Ashoka</i>
Scale : 1 - 20	Technical Officer : <i>[Signature]</i>
Date : 2023-06-08	Design Engineer : <i>N. M. [Signature]</i>
Drawn By : <i>[Signature]</i>	Director (Engineer) : <i>[Signature]</i>

DETAILED DRAWING
(RATE ANALYSIS)

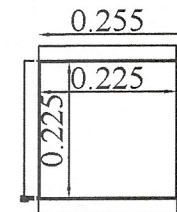
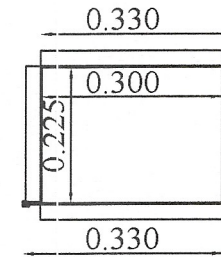
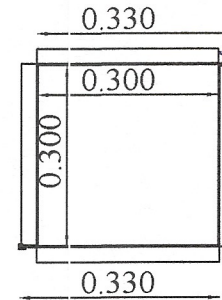
ENGINEERING SERVICES OFFICE.
SOUTHERN PROVINCIAL COUNCIL, GALLE.

TEL: 09122-42100 / 09122-42109 / 09122-42101 / 09122-51232 / 09122-42321 / 09122-42325
FAX: 09122-42101 / 09122-42109 / 09122-42101 / 09122-51232 E-mail: esp@spc.gov.lk



2mm Thick M.S. plate

25 X 25 X 3 mm Angle Iron



ELEVATION
COLUMN FORM WORK
(Steel)

No any alteration is allowed without due permission of DCS(Eng). Any unauthorized alteration is subjected to have disciplinary action. Re-production is not permitted.
DCS(Eng)

STEEL COLUMN FORM WORK

All right reserved this work or any part of there of may not be reproduced without written permission of the Engineering Services Office of southern Provincial council.

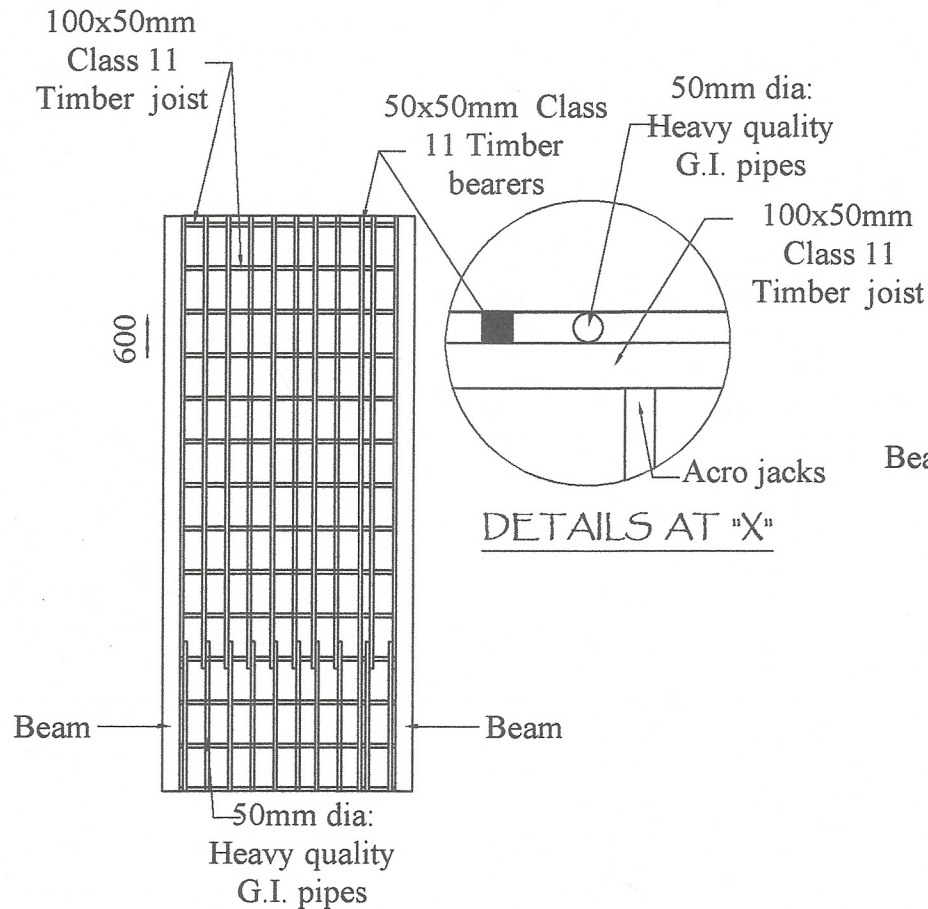
Sheet No : 01	Checked By : <i>S. Jayar</i> (L.P. Weerasinghe)
Drawing No : SPES / Rate 23 / Fw -09	I.O.A. : <i>S. Jayar</i> (M.R. Fernando)
Scale : 1 - 20	Technical Officer : <i>S. Jayar</i> (W. Fernando)
Date : 2023-06-08	Design Engineer : <i>S. Jayar</i> (Eng. N.M.S.M. Manasinghe)
Drawn By : <i>e</i>	Director (Engineer) : <i>C.B. Jayawardena</i> (Eng. C.B. Jayawardena)

DETAILED DRAWING
(RATE ANALYSIS)



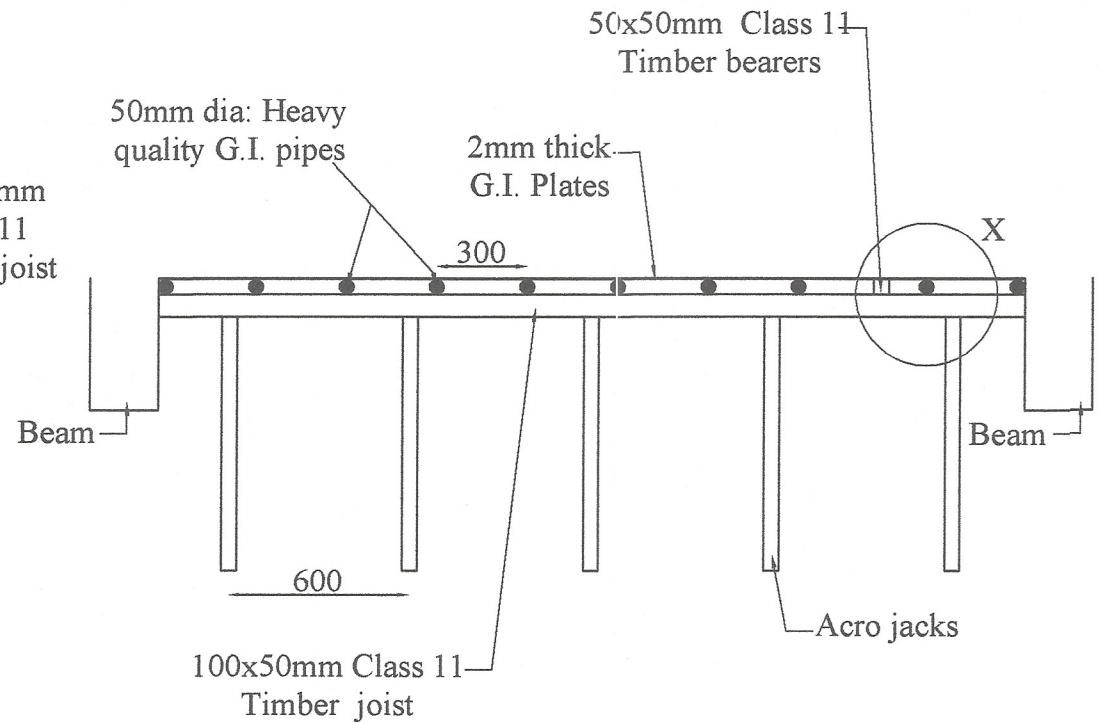
ENGINEERING SERVICES OFFICE.
SOUTHERN PROVINCIAL COUNCIL, GALLE.

Tel: 09122-42761/19122-42765 09122-40161/19122-50125 09122-45252/19122-50164
Fax: 09122-42766/19122-42767 09122-40161/19122-50125 E-mail: engservices@slc.gov.lk



PLAN

SCALE - 1 : 100



SECTION A-A

SCALE - 1 : 20

No any alteration is allowed without due permission of DCS(Eng). Any unauthorized alteration is subjected to have disciplinary action. Re-production is not permitted.
DCS(Eng)

FORM WORK DETAIL OF REINFORCE SLAB
(Steel)

FROM WORK

All right reserved this work or any part of there of may not be reproduced without written permission of the Engineering Services Office of southern Provincial council.

Sheet No : 01	Checked By (S.P.N. Abhinav)	: Syam
Drawing No : SPES / Rate 23 / Fw -14	D.O.L (G.N.R. Binayaka)	: G.Dash
Scale : 1-20	Technical Officer (N.W. De Silva)	: N.W. De Silva
Date : 2023-06-08	Design Engineer (Eng. N.M.S. Manojkumar)	: N.M.S. Manojkumar
Drawn By (L.P. George)	Director (Engineer) (Eng. B.A. Jayasinghe)	: B.A. Jayasinghe

DETAILED DRAWING
(RATE ANALYSIS)

ENGINEERING SERVICES OFFICE.
SOUTHERN PROVINCIAL COUNCIL, GALLE.
Tel: 09122-4218 / 09122-4219 / 09122-4011 / 09122-5115 / 09122-4222 / 09122-0716
Fax: 09122-4216 / 09122-4217 / 09122-4011 / 09122-5115 Email: esos@spc.gov.lk