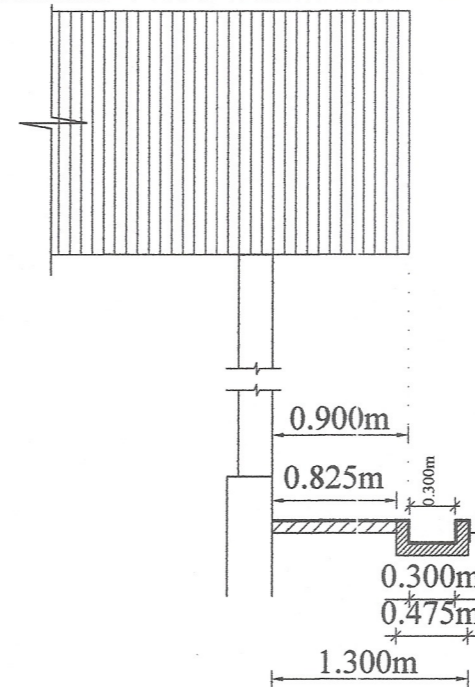
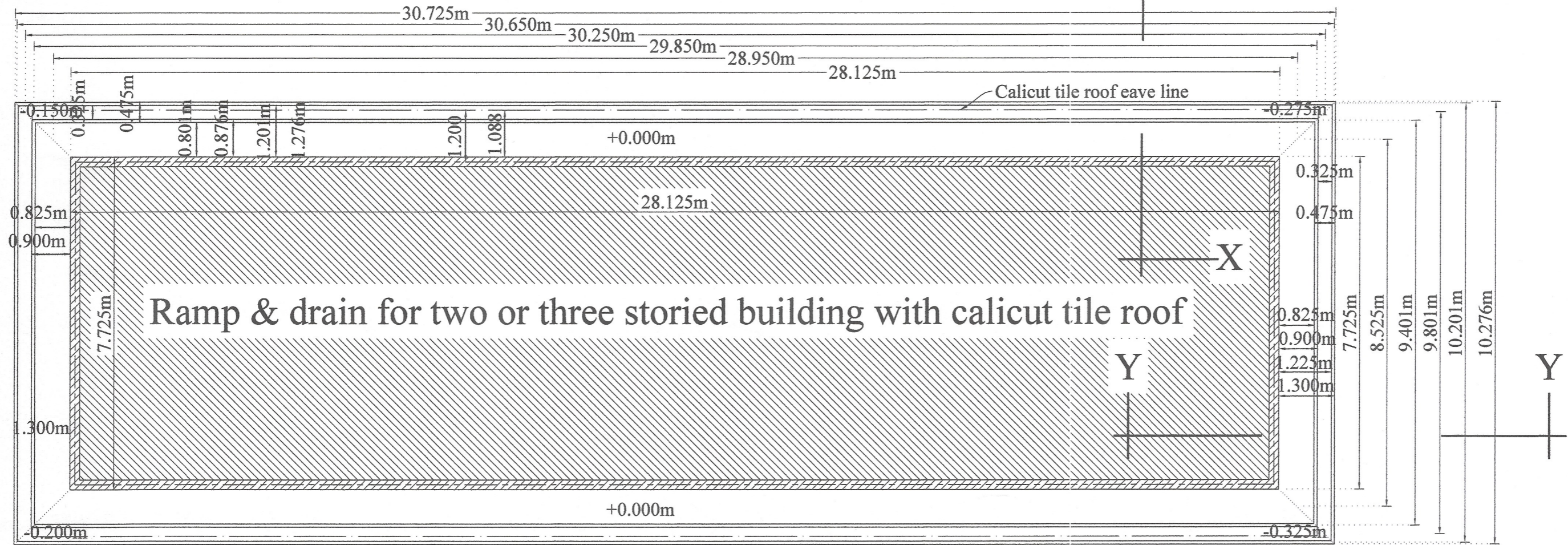


SECTION X-X



SECTION Y-Y

No any alteration is allowed without due permission of DCS(Eng). Any unauthorized alteration is subjected to have disciplinary action. Re-production is not permitted.
DCS(Eng)



PLAN

**DETAILS OF RAMP & DRAIN
FOR OVER TWO STORIED BUILDING
WITH CALICUT TILE ROOF**

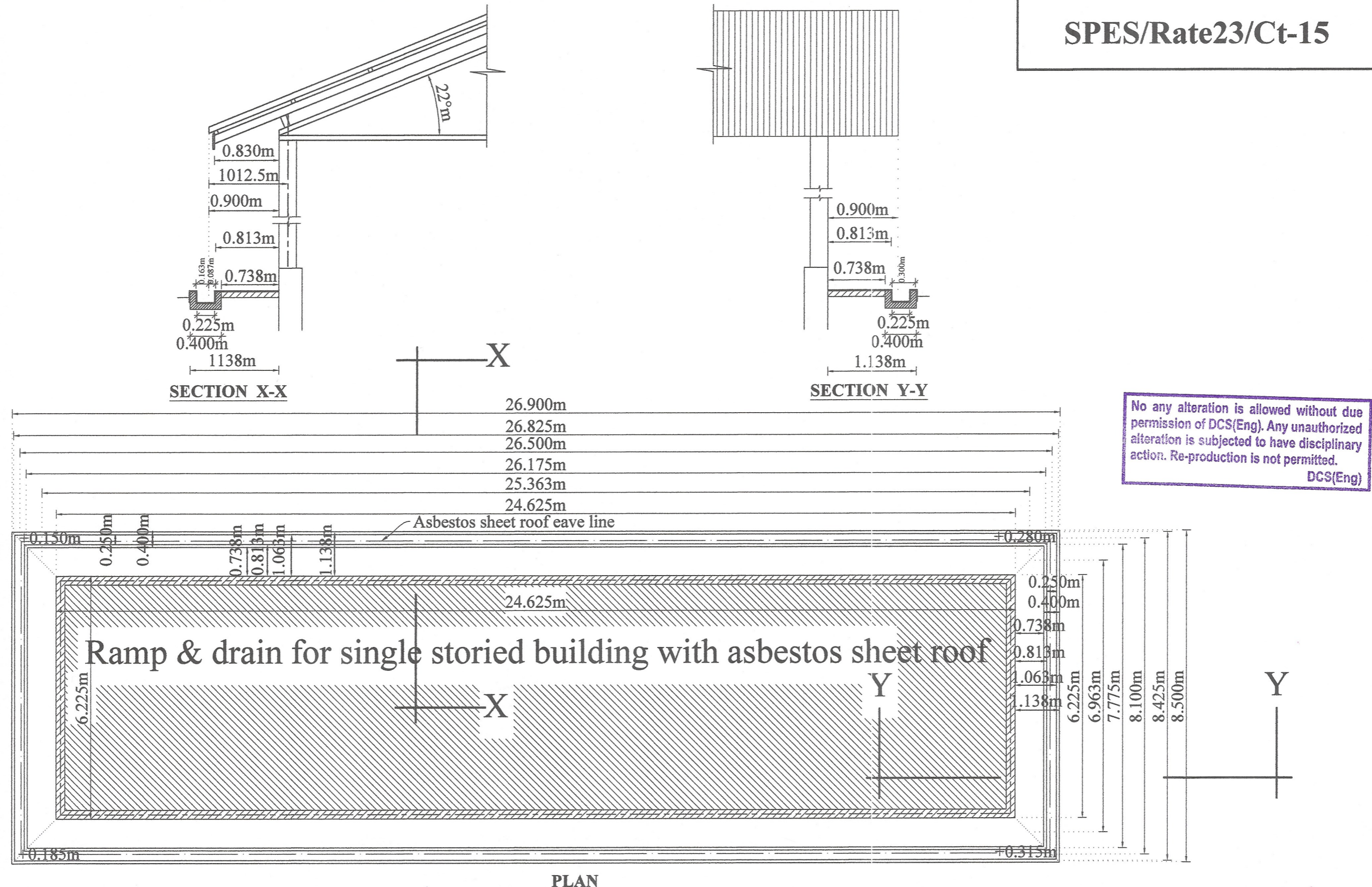
All right reserved this work or any part of there of may not be reproduced without written permission of the Engineering Services Office of southern Provincial council.

Sheet No : 01	Checked By : <i>Sepua</i> (S.P.Wethasinghe)
Drawing No : SPES/Rate23/Ct-13	D.O.A. : <i>C.Pasikil</i> (G.N.R.Ekanayake)
Scale : 1-100, 1-50	Technical Officer : <i>[Signature]</i> (L.W.Hemantha)
Date : 2023-05-08	Design Engineer : <i>N. Nagesh</i> (Eng. N.M.S.Munasinghe)
Drawn By : <i>[Signature]</i> (K. S. Nishani)	Director (Engineer) : <i>C.B.H.</i> (Eng. C.B.Abojadara)

**DETAILED DRAWING
(RATE ANALYSIS)**

ENGINEERING SERVICES OFFICE.
SOUTHERN PROVINCIAL COUNCIL, GALLE.

Tel: 09122-42778 / 09122-42785 / 09122-48181 / 09122-33125 / 09122-48282 / 0002880745
FAX: 09122-42778 / 09122-42785 / 09122-48181 / 09122-33125 E-mail: engservicedp@yahoo.com



PLAN

**DETAILS OF RAMP & DRAIN
FOR SINGLE STORIED BUILDING
WITH CORRUGATED ASBESTOS SHEET ROOF**

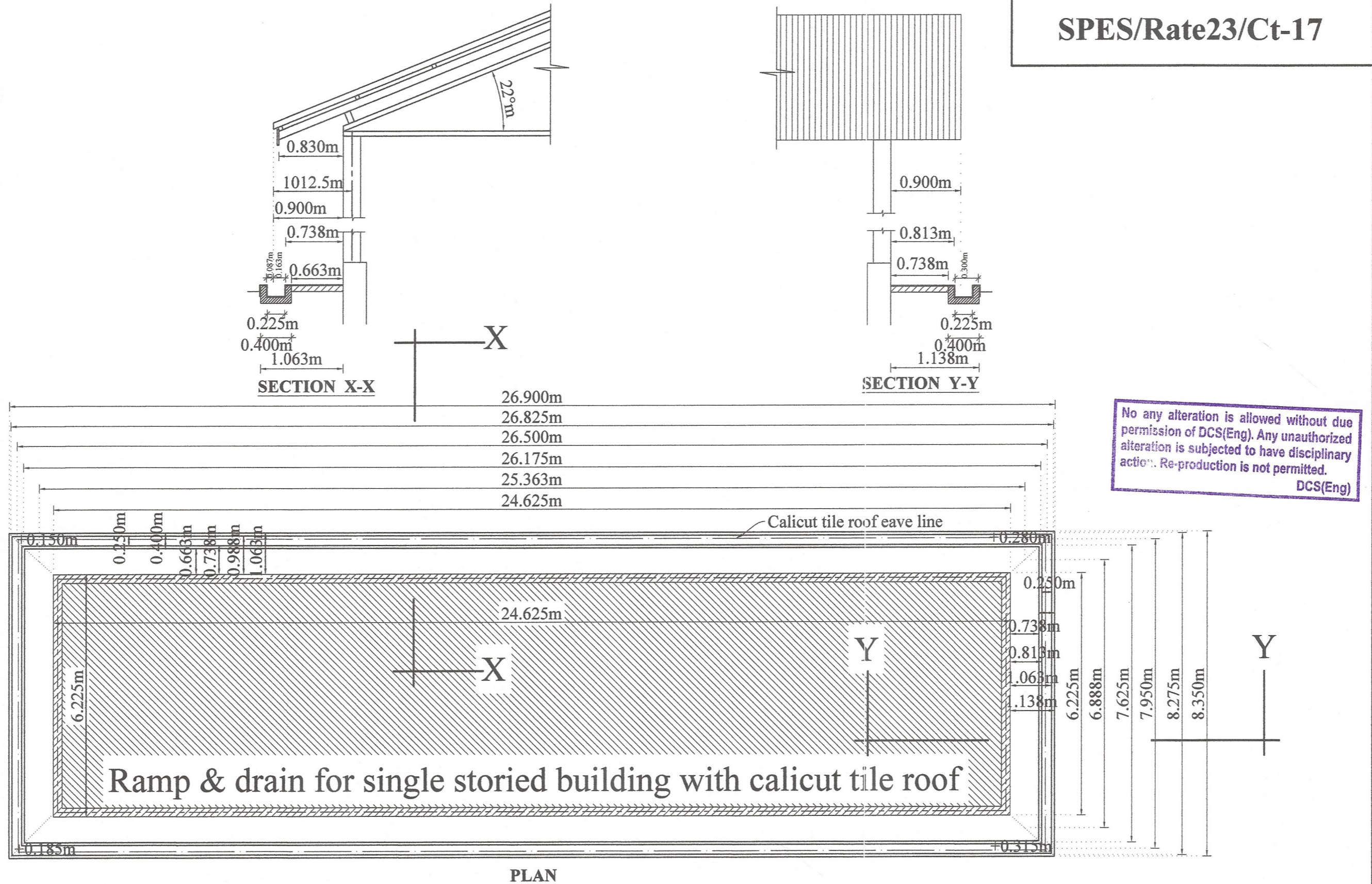
All right reserved this work or any part of there of may not be reproduced without written permission of the Engineering Services Office of southern Provincial council.

Sheet No : 01	Checked By : <i>S. P. Wedthasinghe</i> (S. P. Wedthasinghe)
Drawing No : SPES/Rate23/Ct-15	D.O.A. : <i>C. Dash.</i> (G.N.R. Ekansayake)
Scale : 1 - 100, 1 - 50	Technical Officer : <i>[Signature]</i> (L.W. Hemantha)
Date : 2023-05-08	Design Engineer : <i>N. Manjiv</i> (Eng. N.M.S. Manasinghe)
Drawn By : <i>[Signature]</i> (K. S. Nishani)	Director (Engineer) : <i>[Signature]</i> (Eng. C.B. Abayadeena)

**DETAILED DRAWING
(RATE ANALYSIS)**

ENGINEERING SERVICES OFFICE.
SOUTHERN PROVINCIAL COUNCIL, GALLE.

Tel: 09122-42700 / 09122-42705 / 09122-46161 / 09122-33126 / 09122-48282 / 09122-59745
Fax: 09122-42700 / 09122-42705 / 09122-46161 / 09122-33126 E-mail: engserv@spco.com



Ramp & drain for single storied building with calicut tile roof

PLAN

**DETAILS OF RAMP & DRAIN
FOR SINGLE STORIED BUILDING
WITH CALICUT TILE ROOF**

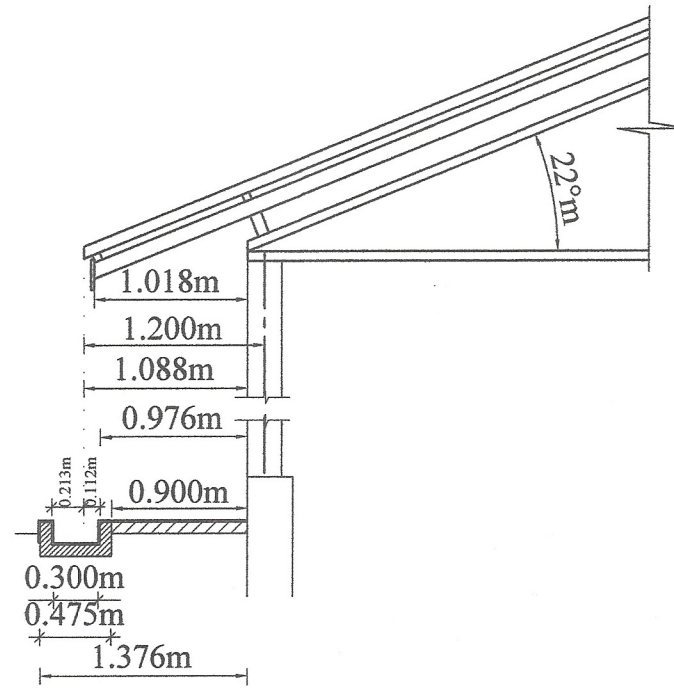
All right reserved this work or any part of there of may not be reproduced without written permission of the Engineering Services Office of southern Provincial council.

Sheet No : 01	Checked By : <i>S. P. Weerasinghe</i>
Drawing No : SPES/Rate23/Ct-17	D.O.A. : <i>G. R. Ekanayake</i>
Scale : 1 - 100, 1 - 50	Technical Officer : <i>L. W. Hemarathna</i>
Date : 2023-05-08	Design Engineer : <i>N. M. S. Mamasinghe</i>
Drawn By : <i>S. S. Nishani</i>	Director (Engineer) : <i>C. B. Abeyudena</i>

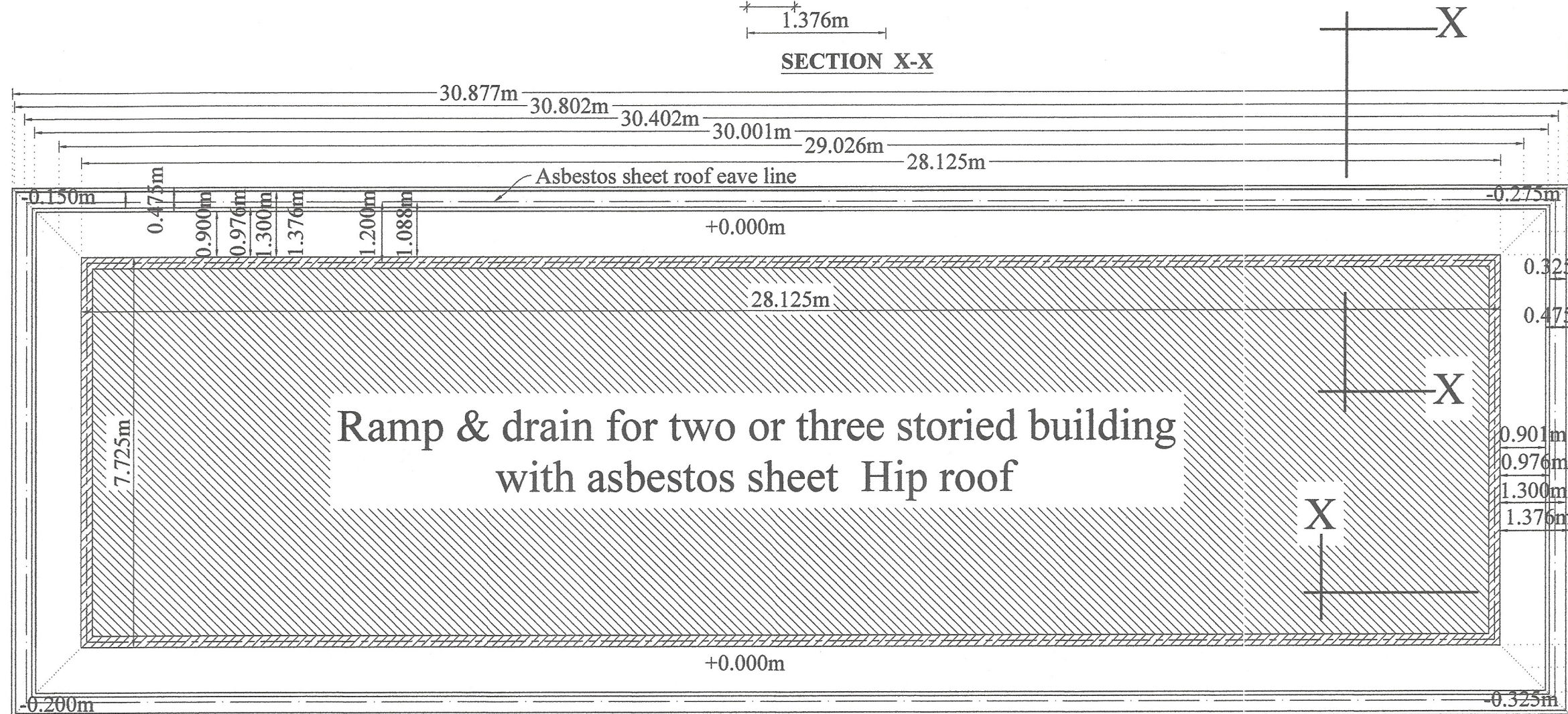
**DETAILED DRAWING
(RATE ANALYSIS)**

ENGINEERING SERVICES OFFICE.
SOUTHERN PROVINCIAL COUNCIL, GALLE.

Tel: 09122-42716 / 09122-42769 / 09122-46161 / 09122-33125 / 09122-48202 / 09122-33745
Fax: 09122-42768 / 09122-42765 / 09122-46161 / 09122-33125 E-mail: engserv@spc.lk



SECTION X-X



PLAN

No any alteration is allowed without due permission of DCS(Eng). Any unauthorized alteration is subjected to have disciplinary action. Re-production is not permitted.
DCS(Eng)

Ramp & drain for two or three storied building with asbestos sheet Hip roof

**DETAILS OF RAMP & DRAIN
FOR OVER TWO STORIED BUILDING
WITH CORRUGATED ASBESTOS SHEET HIP ROOF**

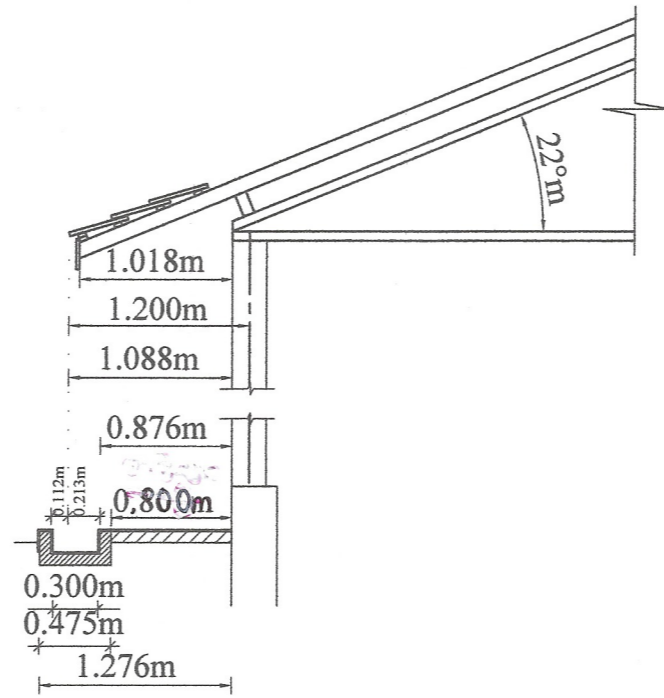
All right reserved this work or any part of there of may not be reproduced without written permission of the Engineering Services Office of southern Provincial council.

Sheet No : 01	Checked By : <i>S. P. Weerasinghe</i>
Drawing No : SPES/Rate23/Ct-19	D.O.A. : <i>C. P. Rajapaksa</i>
Scale : 1 - 100, 1 - 50	Technical Officer : <i>L. W. Hemarathna</i>
Date : 2023-05-08	Design Engineer : <i>N. M. S. Musingha</i>
Drawn By : <i>S. Nishani</i>	Director (Engineer) : <i>C. B. Abayadeera</i>

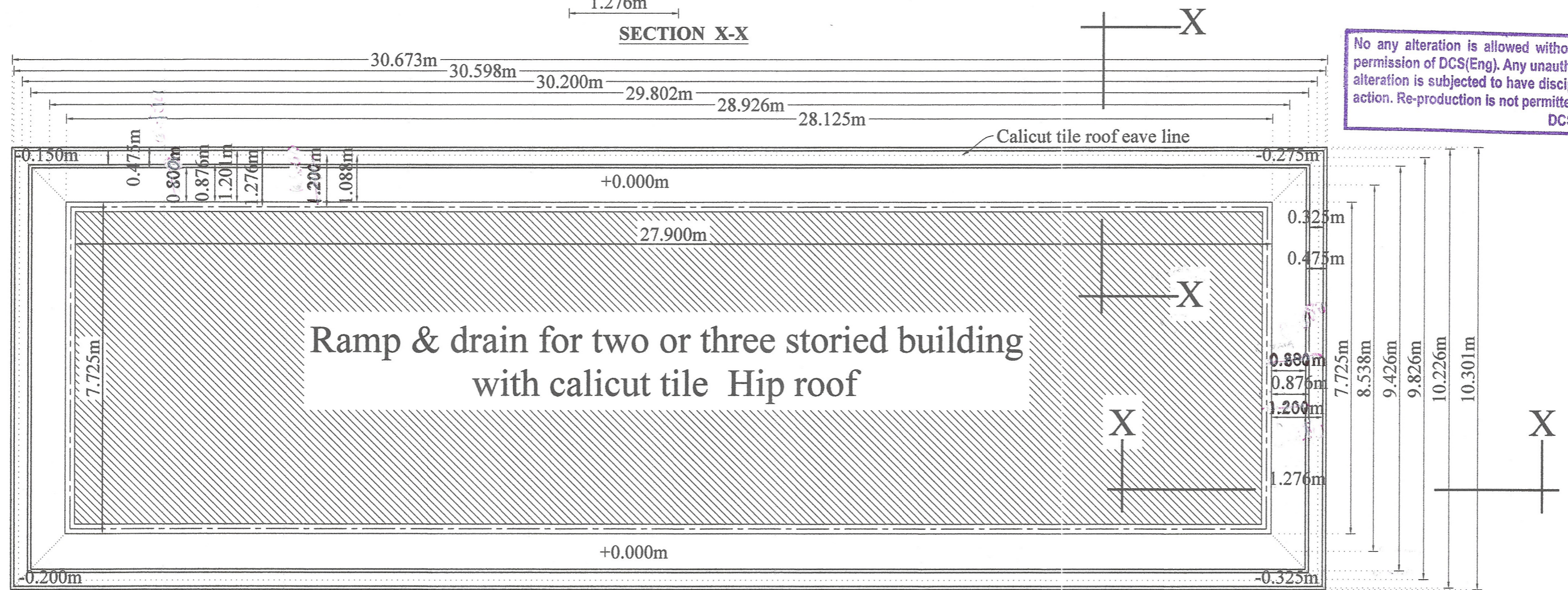
**DETAILED DRAWING
(RATE ANALYSIS)**

ENGINEERING SERVICES OFFICE.
SOUTHERN PROVINCIAL COUNCIL, GALLE.

Tel: 09122-42786 / 09122-42785 / 09122-49161 / 09122-33125 / 09122-46282 / 090288745
Fax: 09122-42786 / 09122-42785 / 09122-49161 / 09122-33125 E-mail: engserv@spc.gov.lk



SECTION X-X



PLAN

No any alteration is allowed without due permission of DCS(Eng). Any unauthorized alteration is subjected to have disciplinary action. Re-production is not permitted.
DCS(Eng)

**DETAILS OF RAMP & DRAIN
FOR OVER TWO STORIED BUILDING
WITH CALICUT TILE HIP ROOF**

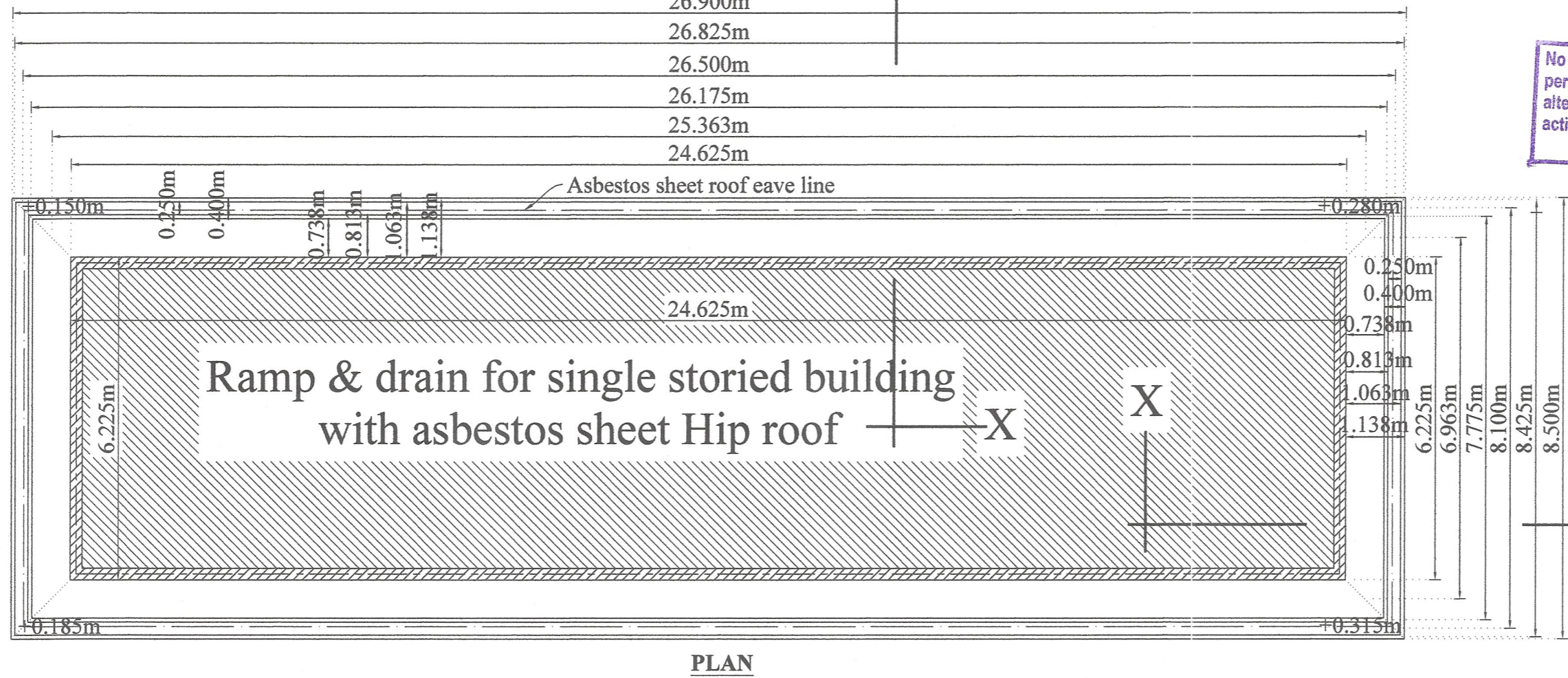
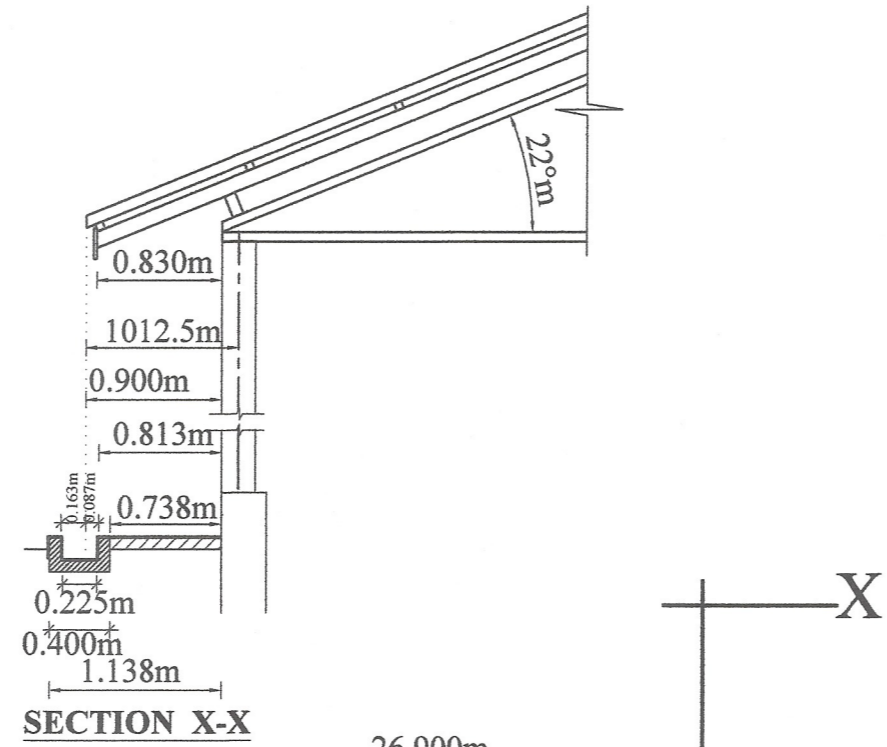
All right reserved this work or any part of there of may not be reproduced without written permission of the Engineering Services Office of southern Provincial council.

Sheet No : 01	Checked By : <i>Syau</i> (S.P.Welthasinghe)
Drawing No : SPES/Rate23/Ct-21	D.O.A. : <i>C.D. Ashok</i> (G.N.R.Ekanayake)
Scale : 1 - 100, 1 - 50	Technical Officer : <i>[Signature]</i> (I.W.Hematha)
Date : 2023-05-08	Design Engineer : <i>V. Nayan</i> (Eng. N.M.S.Manasinghe)
Drawn By : <i>[Signature]</i> (K. S. Nishani)	Director (Engineer) : <i>[Signature]</i> (Eng. C.B.Ahoyadara)

**DETAILED DRAWING
(RATE ANALYSIS)**

ENGINEERING SERVICES OFFICE.
SOUTHERN PROVINCIAL COUNCIL, GALLE.

Tel- 09122-42788 / 09122-42789 / 09122-48181 / 09122-33126 / 09122-48282 / 09122-93045
Fax- 09122-42788 / 09122-42789 / 09122-48181 / 09122-33126 E-mail-engservices@spc.gov.lk



No any alteration is allowed without due permission of DCS(Eng). Any unauthorized alteration is subjected to have disciplinary action. Re-production is not permitted.
DCS(Eng)

PLAN

**DETAILS OF RAMP & DRAIN
FOR SINGLE STORIED BUILDING
WITH CORRUGATED ASBESTOS SHEET HIP ROOF**

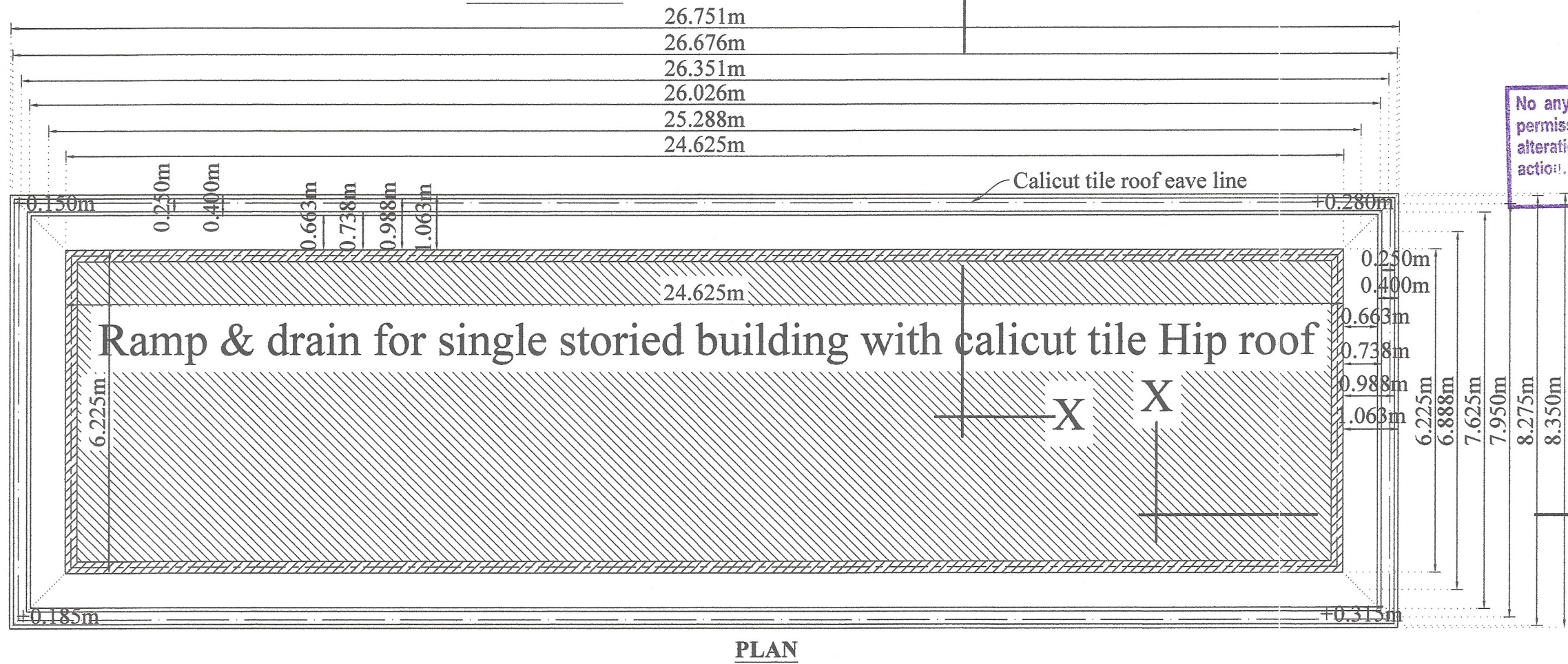
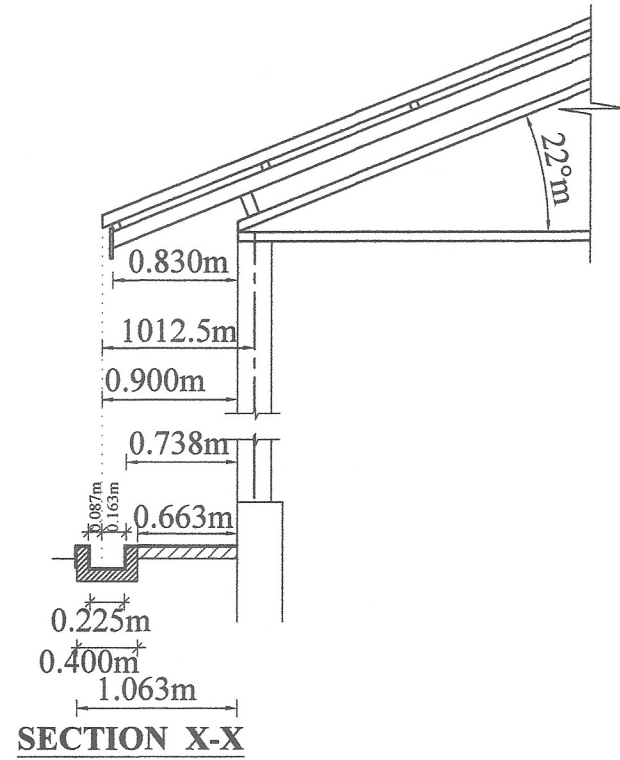
All right reserved this work or any part of there of may not be reproduced without written permission of the Engineering Services Office of southern Provincial council.

Sheet No : 01	Checked By : <i>S. P. Welthasinghe</i>
Drawing No : SPES/Rate23/Ct-23	D.O.A. : <i>G.N.R. Ekmanayake</i>
Scale : 1 - 100, 1 - 50	Technical Officer : <i>L.W. Hemantha</i>
Date : 2023-05-08	Design Engineer : <i>Eng. N.M.S. Munsinghe</i>
Drawn By : <i>K. S. Nishani</i>	Director (Engineer) : <i>Eng. C.B. Abeyadeera</i>

**DETAILED DRAWING
(RATE ANALYSIS)**

ENGINEERING SERVICES OFFICE.
SOUTHERN PROVINCIAL COUNCIL, GALLE.

Tel- 09122-42706 / 09122-42709 / 09122-46161 / 09122-33125 / 09122-48262 / 0902680745
FAX- 09122-42706 / 09122-42709 / 09122-46161 / 09122-33125 E-mail- engserv@spc.gov.lk



No any alteration is allowed without due permission of DCS(Eng). Any unauthorized alteration is subjected to have disciplinary action. Re-production is not permitted.
DCS(Eng)

**DETAILS OF RAMP & DRAIN
FOR SINGLE STORIED BUILDING
WITH CALICUT TILE HIP ROOF**

All right reserved this work or any part of there of may not be reproduced without written permission of the Engineering Services Office of southern Provincial council.

Sheet No : 01	Checked By : <i>shyans</i> (S.P.Welthasinghe)
Drawing No : SPES/Rate23/Ct-25	D.O.A. : <i>C.P.Rashid</i> (G.N.R.Ekanayake)
Scale : 1-100, 1-50	Technical Officer : <i>[Signature]</i> (L.W.Hemasatha)
Date : 2023-05-08	Design Engineer : <i>[Signature]</i> (Eng.N.M.S.Munasinghe)
Drawn By : <i>[Signature]</i> (K.S.Nishani)	Director (Engineer) : <i>[Signature]</i> (Eng.C.B.Abduradeem)

**DETAILED DRAWING
(RATE ANALYSIS)**

ENGINEERING SERVICES OFFICE.
SOUTHERN PROVINCIAL COUNCIL, GALLE.

Tel- 09122-42788 / 09122-42789 / 09122-33125 / 09122-48282 / 090288745
Fax- 09122-42788 / 09122-42789 / 09122-48181 / 09122-33125 E-mail-engserv@spc.lk