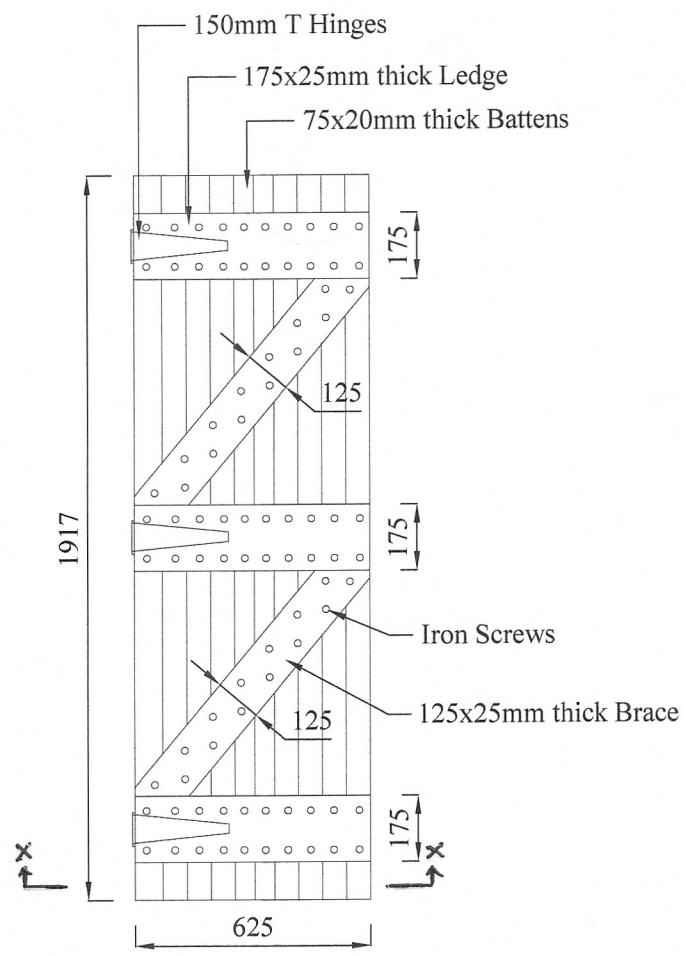
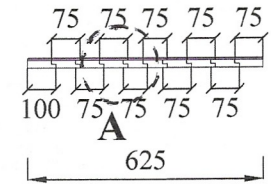


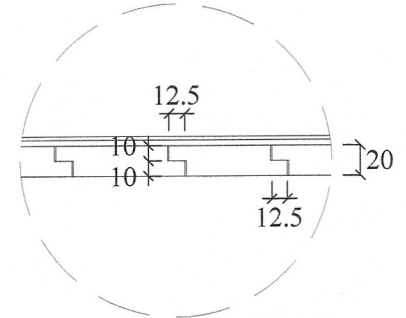
DETAILS OF DOOR FRAME



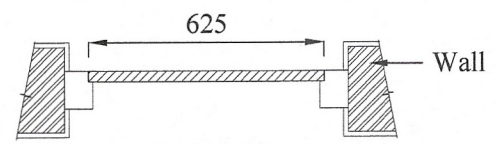
DETAILS OF DOOR SASH



SECTION X - X



DETAILS AT 'A'



PLAN

No any alteration is allowed without due permission of DCS(Eng). Any unauthorized alteration is subjected to have disciplinary action. Re-production is not permitted.
DCS(Eng)

DETAILS OF LEDGE & BRACED DOOR (754 X 1981)

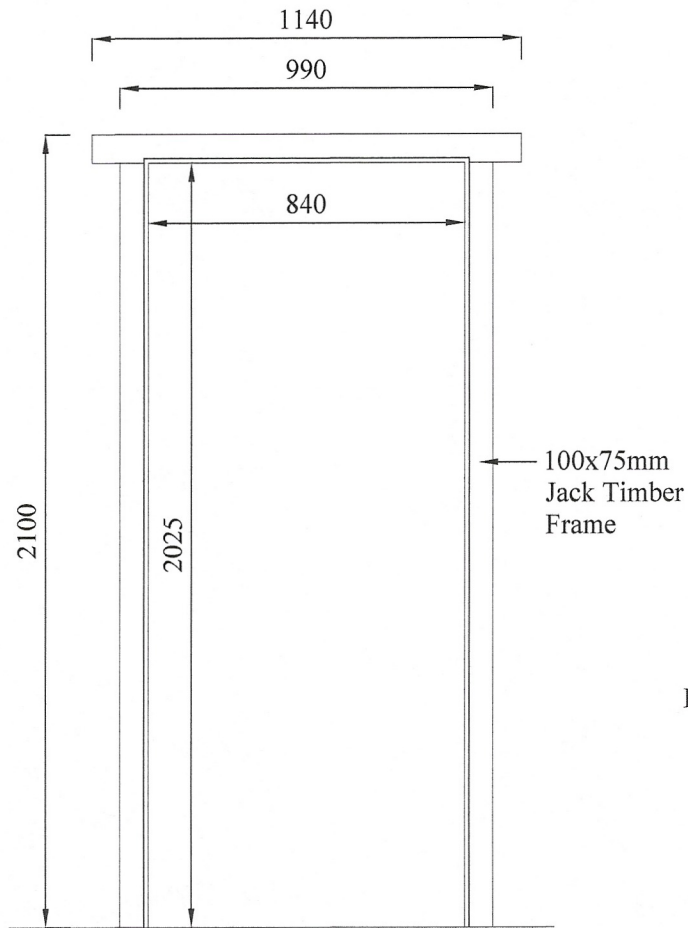
All right reserved this work or any part of there of may not be reproduced without written permission of the Engineering Services Office of southern Provincial council.

Sheet No : 01	Checked By : <i>Sapara</i> (S.P. Weerasinghe)
Drawing No : SPES/Rate23/Cp-18	D.O.A. : <i>D. Daship</i> (G.N.R. Ekmanayake)
Scale : 1-20	Technical Officer : <i>[Signature]</i> (L.W. Hemarathna)
Date : 2023-05-08	Design Engineer : <i>N. M. Jayar</i> (Eng. N.M.S. Munsinghe)
Drawn By : <i>[Signature]</i> (K.S. Nishani)	Director (Engineer) : <i>e. B. [Signature]</i> (Eng. C.B. Abeydeera)

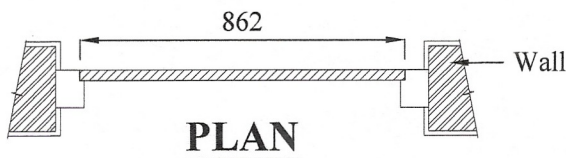
DETAILED DRAWING (RATE ANALYSIS)

ENGINEERING SERVICES OFFICE.
SOUTHERN PROVINCIAL COUNCIL, GALLE.

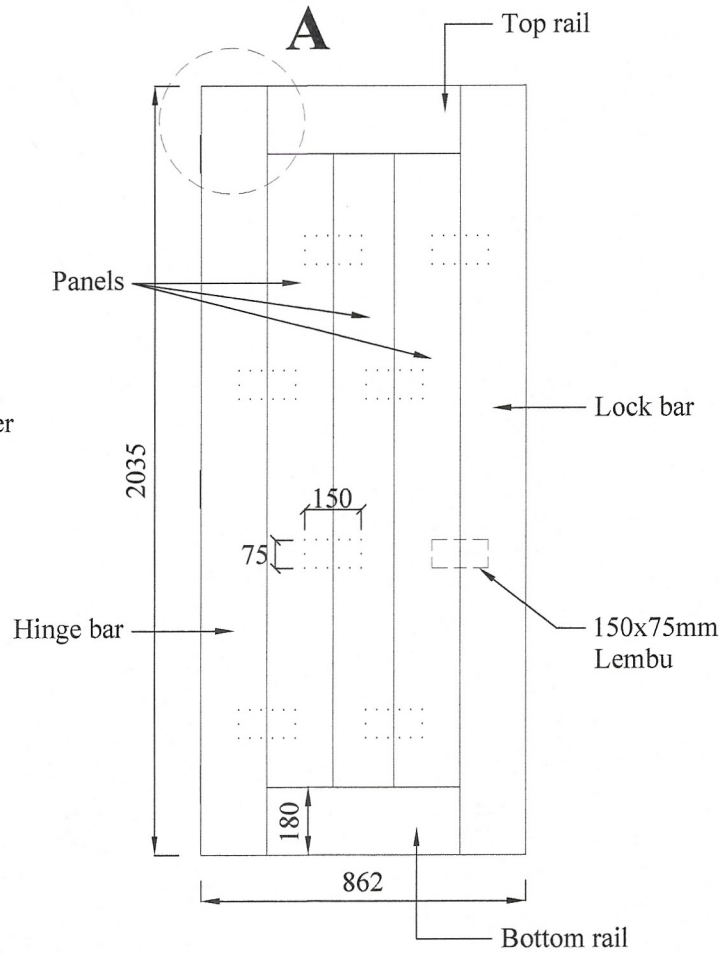
Tel: 09122-42786 / 09122-42785 / 09122-46181 / 09122-33125 / 09122-42822 / 09029 38745
 FAX: 09122-42786 / 09122-42785 / 09122-46181 / 09122-33125 E-mail: engservs@spc.lk



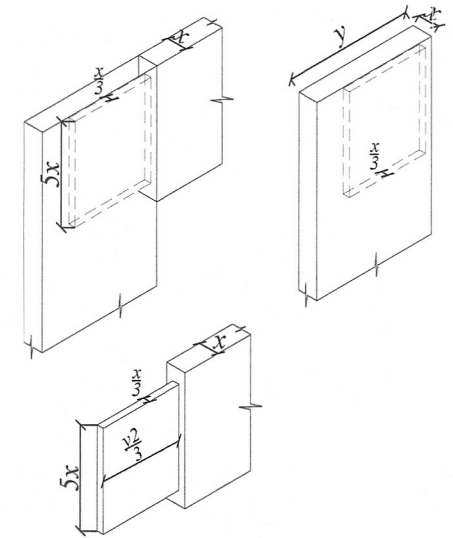
DETAILS OF DOOR FRAME



PLAN



DETAILS OF DOOR SASH



MORTICE & TENON JOINT DETAILS AT 'A'

No any alteration is allowed without due permission of DCS(Eng). Any unauthorized alteration is subjected to have disciplinary action. Re-production is not permitted.
DCS(Eng)

DETAILS OF PANNELLED DOOR (990 X 2100)

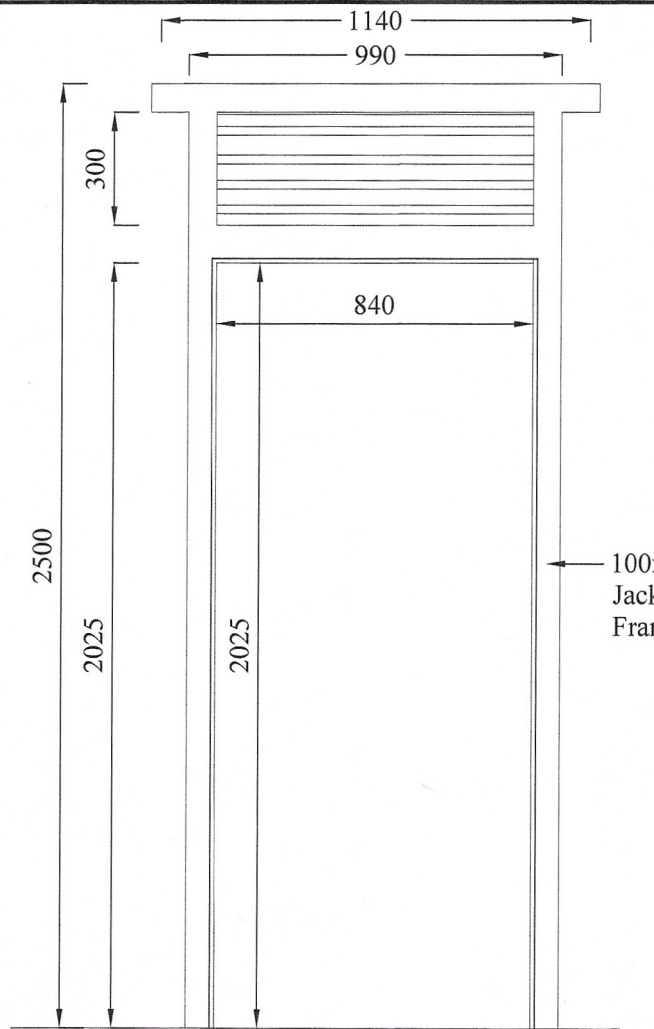
All right reserved this work or any part of there of may not be reproduced without written permission of the Engineering Services Office of southern Provincial council.

Sheet No : 01	Checked By : <i>S.P. Weethasinghe</i>
Drawing No : SPES/Rate23/Cp-21	D.O.A. : <i>C.D. Rajapaksa</i>
Scale : 1-20	Technical Officer : <i>N.W. Herath</i>
Date : 2023-05-08	Design Engineer : <i>N.M.S. Munsinghe</i>
Drawn By : <i>S. S. Nishani</i>	Director (Engineer) : <i>C.B. Abayakera</i>

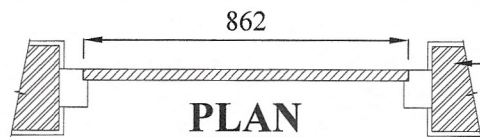
DETAILED DRAWING (RATE ANALYSIS)

ENGINEERING SERVICES OFFICE.
SOUTHERN PROVINCIAL COUNCIL, GALLE.

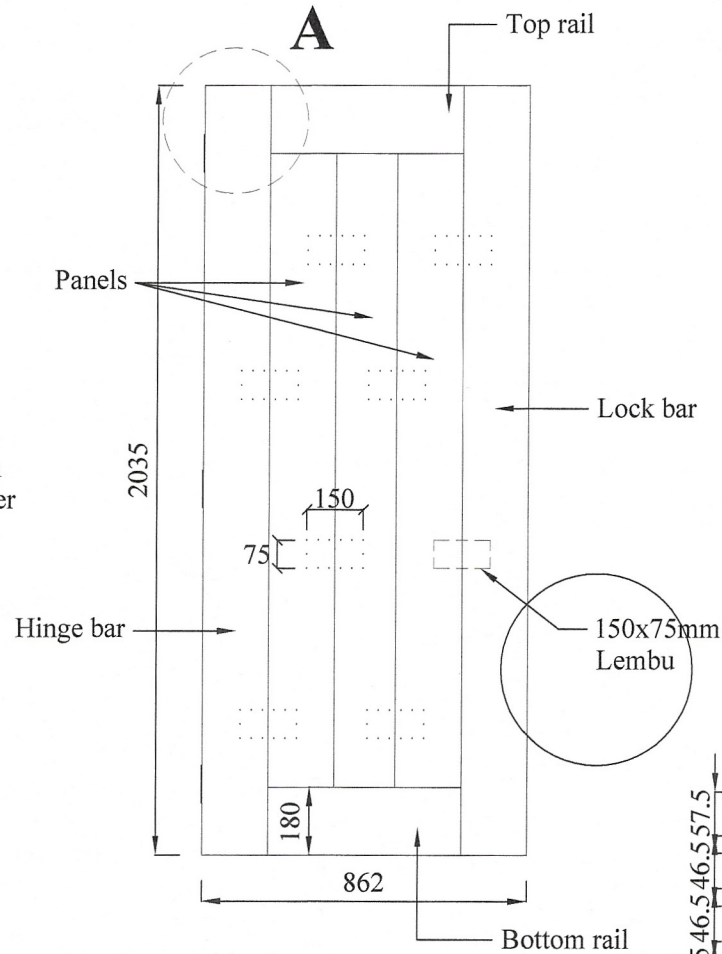
Tel: 09122-42786 / 09122-42789 / 09122-49181 / 09122-59123 / 09122-42892 / 09023-38146
FAX: 09122-42786 / 09122-42789 / 09122-48181 / 09122-59125 E-mail: engandsps@slon.com



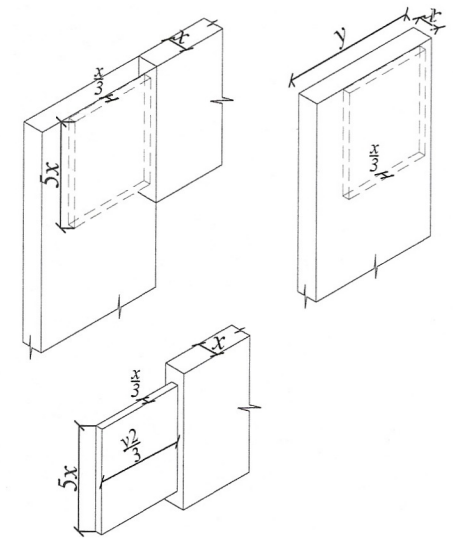
DETAILS OF DOOR FRAME



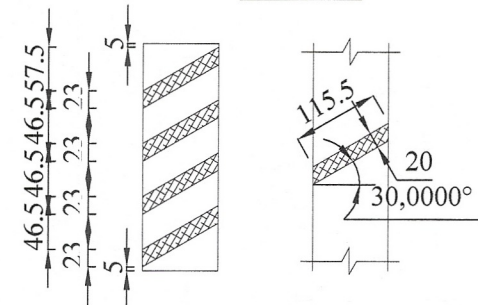
PLAN



DETAILS OF DOOR SASH



MORTICE & TENON JOINT DETAILS AT 'A'



DETAILS OF LOUVERED AREA

No any alteration is allowed without due permission of DCS(Eng). Any unauthorized alteration is subjected to have disciplinary action. Reproduction is not permitted.
DCS(Eng)

All right reserved this work or any part of there of may not be reproduced without written permission of the Engineering Services Office of southern Provincial council.

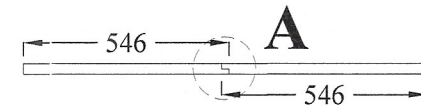
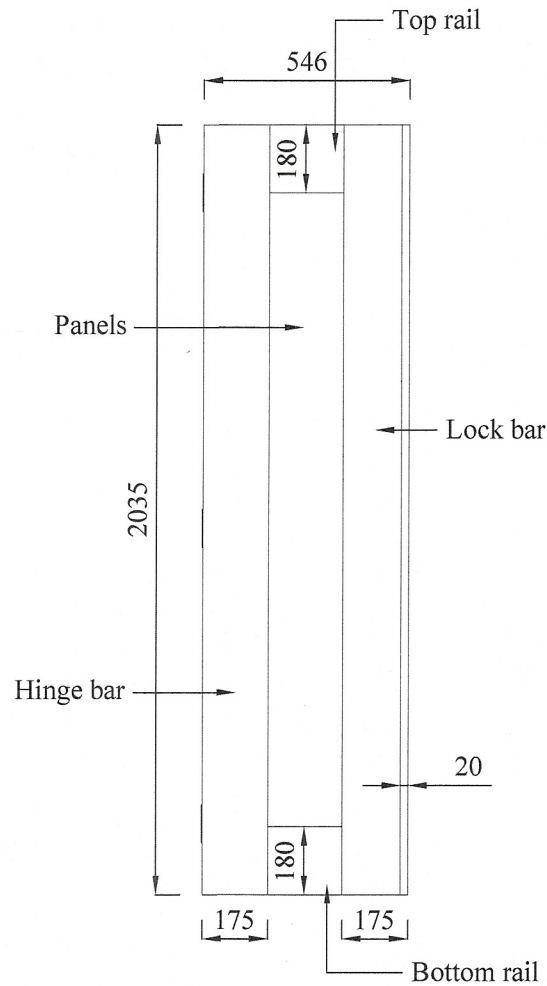
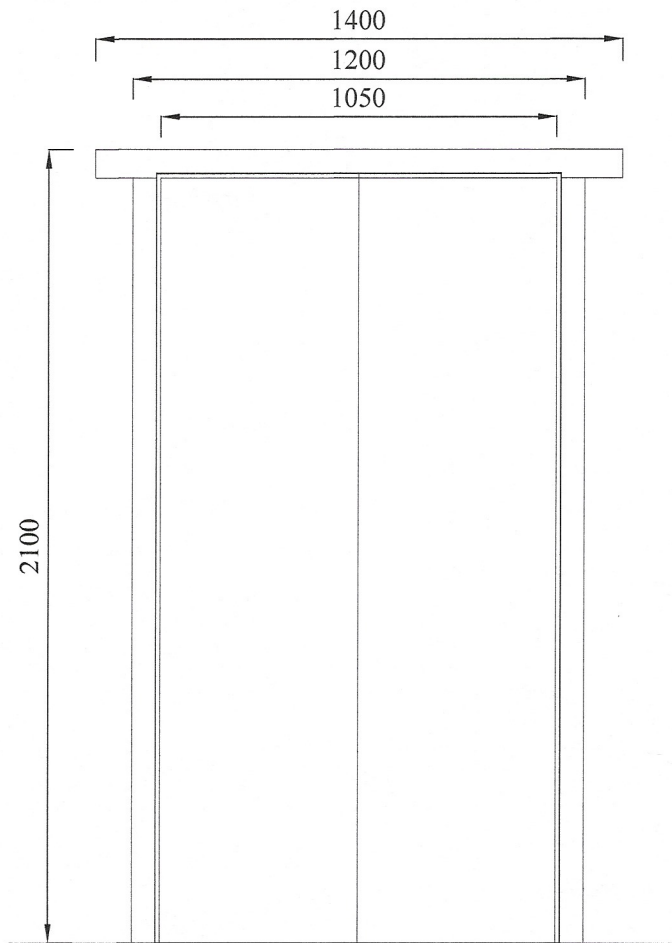
DETAILS OF PANNELLED DOOR WITH LOUVERS ON TOP (990 X 2500)

Sheet No : 01	Checked By : <i>S.P.P. Weerasinghe</i>
Drawing No : SPES/Rate23/Cp-32	D.O.A. : <i>C.P. Pushpa</i>
Scale : 1-20	Technical Officer : <i>L.W. Hemarathna</i>
Date : 2023-05-08	Design Engineer : <i>N.M.S. Musinga</i>
Drawn By : <i>S. S. Nishani</i>	Director (Engineer) : <i>C. B. Jayasinghe</i>

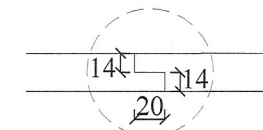
DETAILED DRAWING (RATE ANALYSIS)

ENGINEERING SERVICES OFFICE.
SOUTHERN PROVINCIAL COUNCIL, GALLE

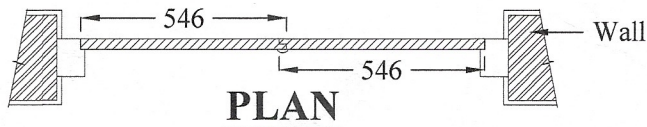
Tel: 09122-42766 / 09122-42769 / 09122-46181 / 09122-33125 / 09122-48262 / 09020-30746
FAX: 09122-42766 / 09122-42769 / 09122-46181 / 09122-35125 E-mail: engserv@spc.gov.lk



SASH PLAN



DETAILS AT 'A'



PLAN

DETAILS OF DOOR SASH

No any alteration is allowed without due permission of DCS(Eng). Any unauthorized alteration is subjected to have disciplinary action. Re-production is not permitted.
DCS(Eng)

**DETAILS OF DOUBLE HUNG PANNELLED DOOR
(1200 X 2100)**

All right reserved this work or any part of there of may not be reproduced without written permission of the Engineering Services Office of southern Provincial council.

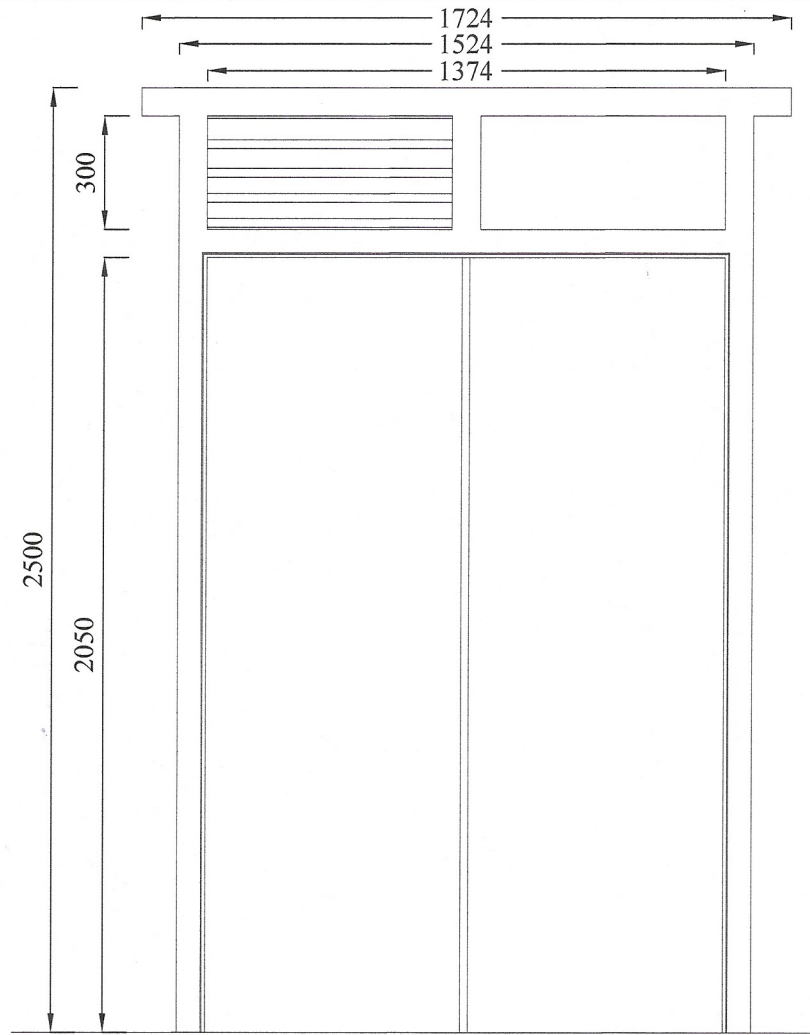
Sheet No : 01	Checked By : <i>S.P. Weerasinghe</i>
Drawing No : SPES/Rate23/Cp-36	D.O.A. : <i>C. B. Abeyaratne</i>
Scale : 1 - 20	Technical Officer : <i>[Signature]</i>
Date : 2023-05-08	Design Engineer : <i>[Signature]</i>
Drawn By : <i>[Signature]</i>	Director (Engineer) : <i>[Signature]</i>

**DETAILED DRAWING
(RATE ANALYSIS)**

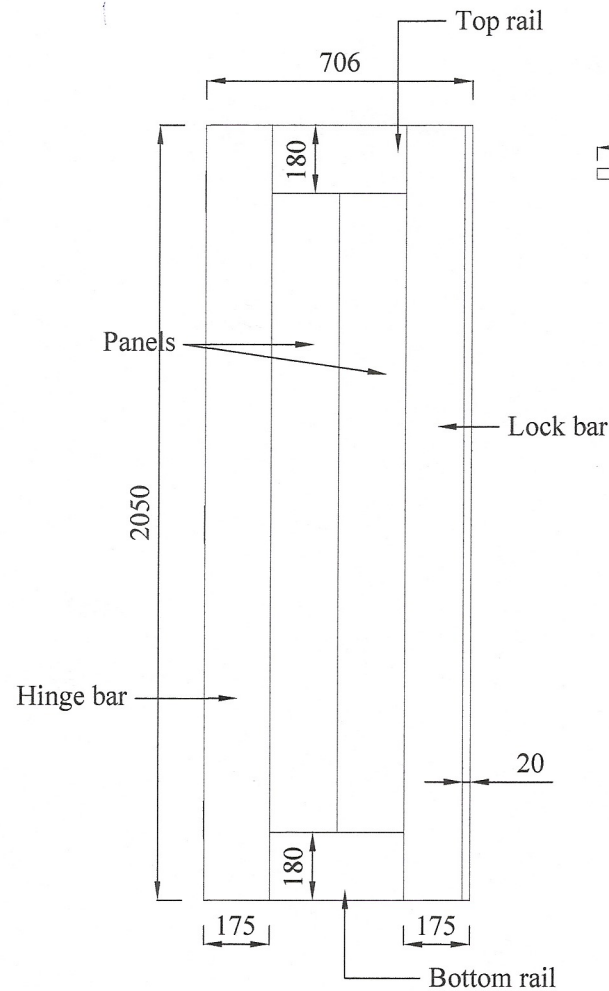
ENGINEERING SERVICES OFFICE.
SOUTHERN PROVINCIAL COUNCIL, GALLE.

Tel: 09122-42786 / 09122-42789 / 09122-49181 / 09122-50125 / 09122-48282 / 09122-38745
Fax: 09122-42781 / 09122-42788 / 09122-49181 / 09122-50127 E-mail: engservices@slco.lk

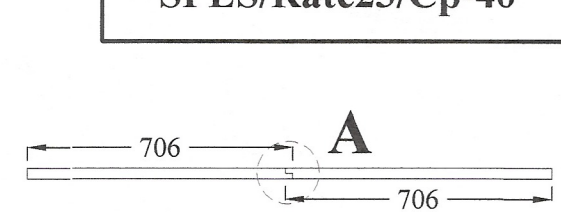
SPES/Rate23/Cp-40



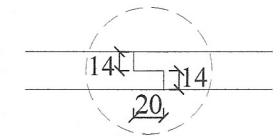
DETAILS OF DOOR FRAME



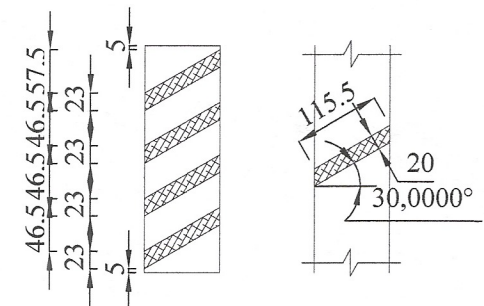
DETAILS OF DOOR SASH



SASH PLAN



DETAILS AT 'A'



DETAILS OF LOUVERED AREA



PLAN

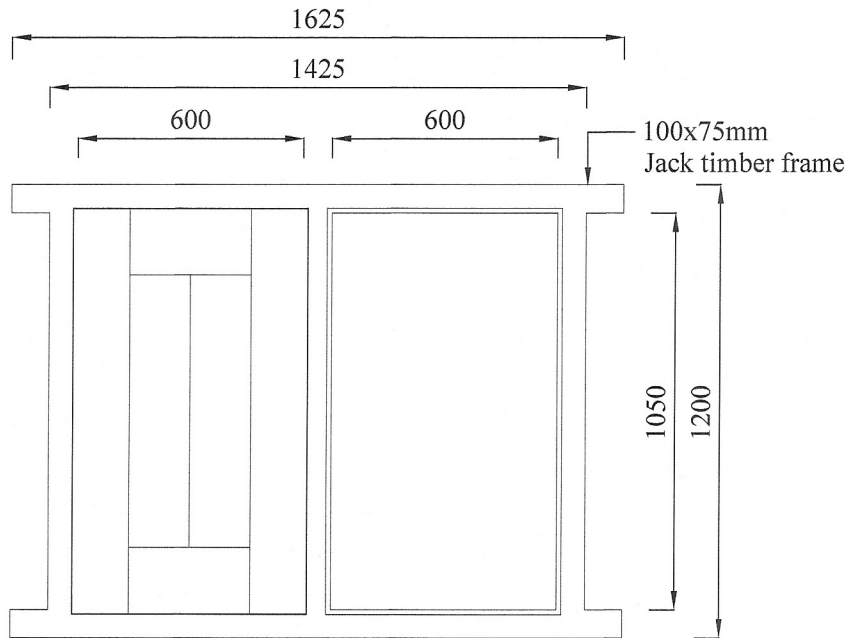
No any alteration is allowed without due permission of DCS(Eng). Any unauthorized alteration is subjected to have disciplinary action. Re-production is not permitted.
DCS(Eng)

**DETAILS OF DOUBLE HUNG PANNELLED DOOR WITH LOUVERED ON TOP
(1524 X 2500)**

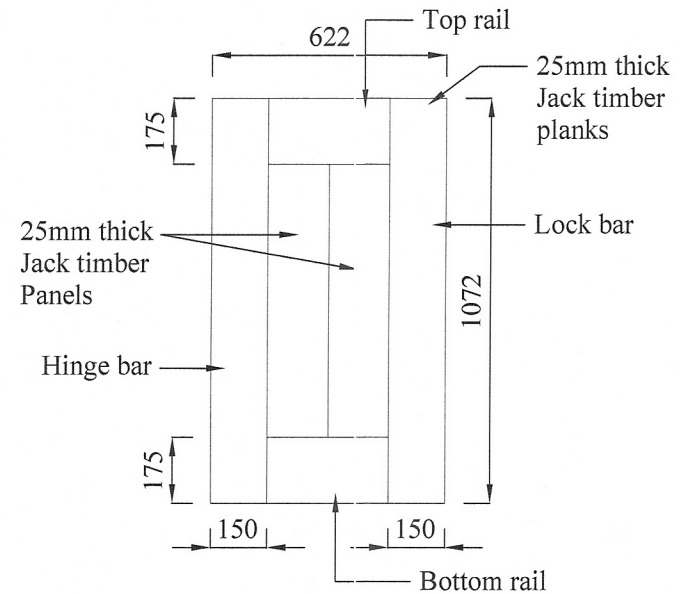
All right reserved this work or any part of there of may not be reproduced without written permission of the Engineering Services Office of southern Provincial council.

Sheet No : 01	Checked By : <i>Syama</i> (S.P.Weththasinghe)	DETAILED DRAWING (RATE ANALYSIS)
Drawing No : SPES/Rate23/Cp-40	D.O.A : <i>G.P.Rajak</i> (G.N.R.Ekanayake)	
Scale : 1-20	Technical Officer : <i>W.P.P.</i> (I.W.Hemathika)	ENGINEERING SERVICES OFFICE. SOUTHERN PROVINCIAL COUNCIL, GALLE.
Date : 2023-05-08	Design Engineer : <i>N.M.</i> (Eng.N.M.S.Mamuntha)	
Drawn By : <i>Sund</i> (K.S.Nishani)	Director (Eng.ner) : <i>C.S.</i> (Eng.C.B.Abdulera)	

Tel: 09122-42781 / 09122-42789 / 09122-49181 / 09122-50125 / 09122-49282 / 0962328195
Fax: 09122-42786 / 09122-42787 / 09122-49181 / 09122-50125 E-mail: engservices@galco.lk



DETAILS OF WINDOW FRAME



DETAILS OF WINDOW SASH

No any alteration is allowed without due permission of DCS(Eng). Any unauthorized a teration is subjected to have disciplinary action. Re-production is not permitted.
DCS(Eng)

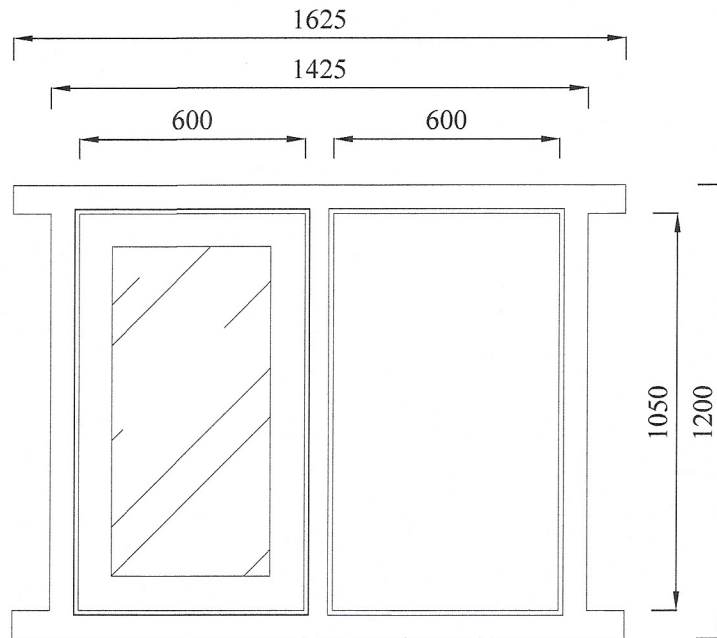
DETAILS OF PANNELLED WINDOW
(1425 x 1200)

All right reserved this work or any part of there of may not be reproduced without written permission of the Engineering Services Office of southern Provincial council.

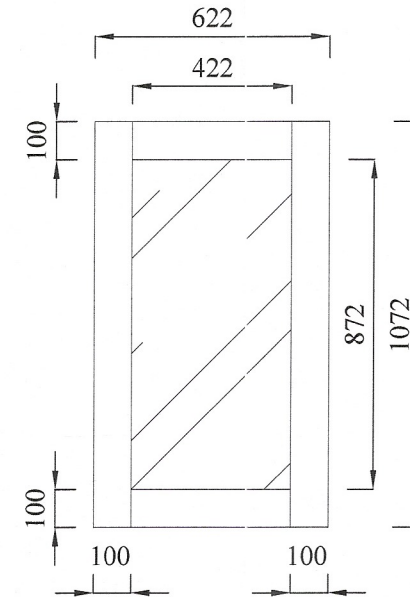
Sheet No : 01	Checked By : <i>S.P. Weerasinghe</i> (S.P. Weerasinghe)
Drawing No : SPES/Rate23/Cp-48	D.O.A. : <i>C.P. Rajapaksa</i> (G.N.R. Ekmanayake)
Scale : 1-20	Technical Officer : <i>N.M.S. Murali</i> (L.W. Hemarathna)
Date : 2023-05-08	Design Eng neer : <i>N.M.S. Murali</i> (Eng. N.M.S. Murali singhe)
Drawn By : <i>S. S. Nishani</i>	Director (Engineer) : <i>C.B. Abeyaratne</i> (Eng. C.B. Abaya ratna)

DETAILED DRAWING
(RATE ANALYSIS)

ENGINEERING SERVICES OFFICE.
SOUTHERN PROVINCIAL COUNCIL, GALLE.
Tel: 09122-42766 / 09122-42769 / 09122-46181 / 09122-39125 / 09122-49282 / 092226745
Fax: 09122-42766 / 09122-42769 / 09122-46181 / 09122-39125 E-mail: engserv@spc.lk



DETAILS OF WINDOW FRAME



DETAILS OF WINDOW SASH

No any alteration is allowed without due permission of DCS(Eng). Any unauthorized alteration is subjected to have disciplinary action. Re-production is not permitted.
DCS(Eng)

DETAILS OF GLAZED WINDOW
(1425 x 1200)

All right reserved this work or any part of there of may not be reproduced without written permission of the Engineering Services Office of southern Provincial council.

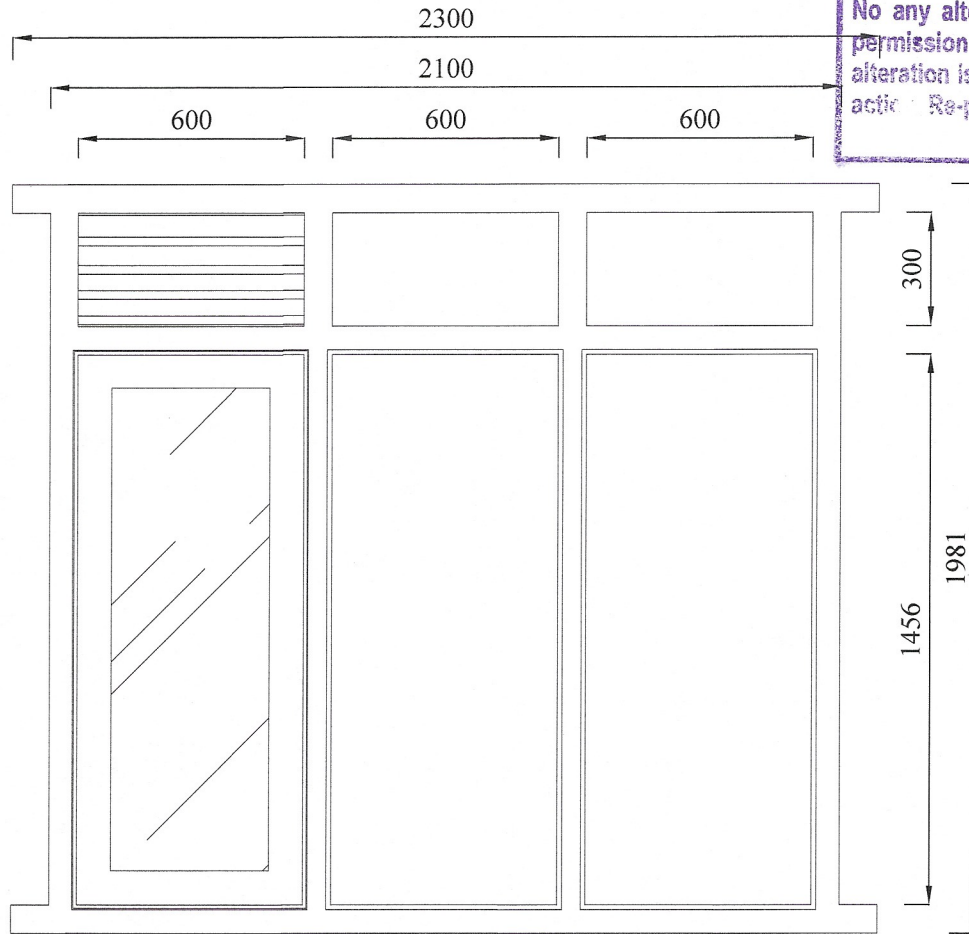
Sheet No : 01	Checked By : <i>Syana</i> (S.P.Wethasinghe)
Drawing No : SPES/Rate23/Cp-60	D.O.A. : <i>C.Pashol</i> (G.N.R.Ekanayake)
Scale : 1 - 20	Technical Officer : <i>W.Patira</i> (I.W.Hemartha)
Date : 2023-05-08	Design Engineer : <i>N.Mayya</i> (Eng.N.M.S.Munasinghe)
Drawn By : <i>Sunil</i> (K.S.Nishani)	Director (Engineer) : <i>C.B.B</i> (Eng.C.B.Abeysatna)

DETAILED DRAWING
(RATE ANALYSIS)

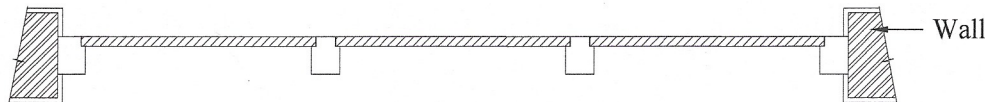
ENGINEERING SERVICES OFFICE.
SOUTHERN PROVINCIAL COUNCIL, GALLE.

Tel: 09122-42786 / 09122-42789 / 09122-48181 / 09122-38125 / 09122-48282 / 09023-38745
Fax: 09122-42786 / 09122-42789 / 09122-48181 / 09122-38125 E-mail: engservo@spes.gov.lk

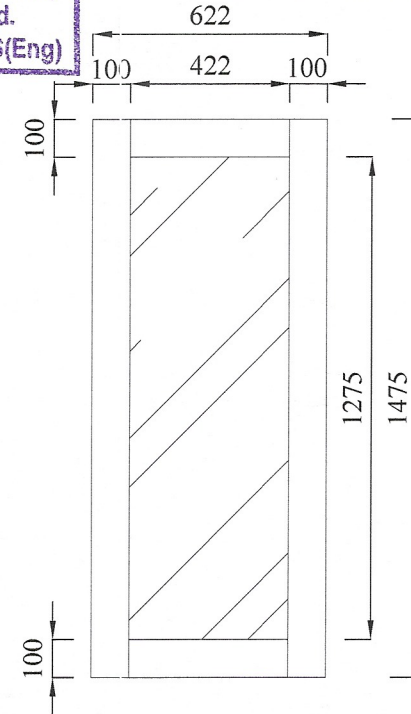
No any alteration is allowed without due permission of DCS(Eng). Any unauthorized alteration is subjected to have disciplinary action. Re-production is not permitted.
DCS(Eng)



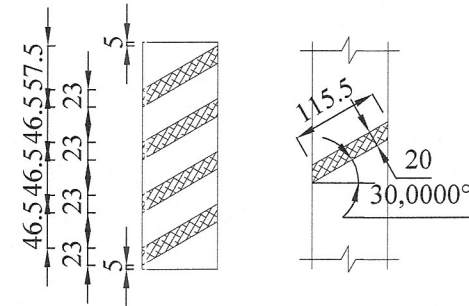
DETAILS OF WINDOW FRAME



PLAN




DETAILS OF WINDOW SASH



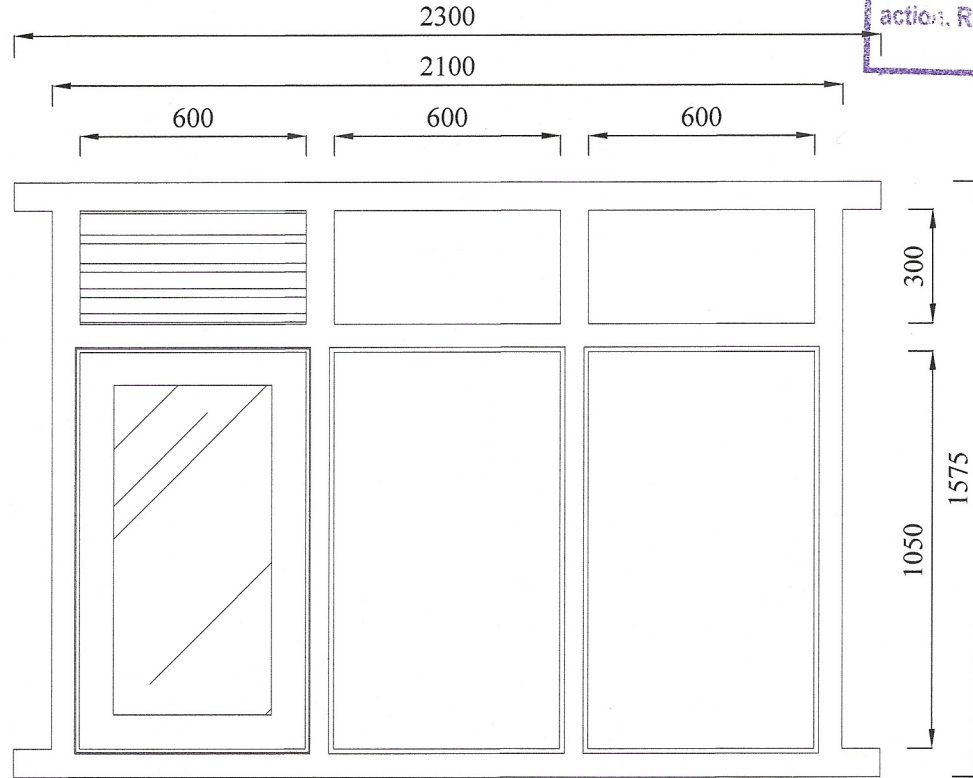
DETAILS OF LOUVERED AREA

DETAILS OF GLAZED WINDOW WITH LOUVERED ON TOP
(2100 x 1981)

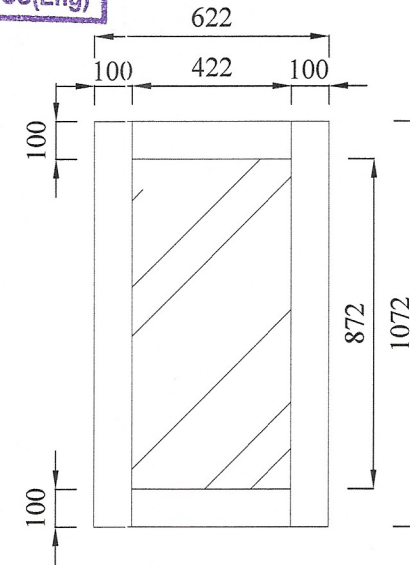
All right reserved this work or any part of there of may not be reproduced without written permission of the Engineering Services Office of southern Provincial council.

Sheet No : 01	Checked By : <i>S. P. Withanage</i> (S.P. Withanage)	DETAILED DRAWING (RATE ANALYSIS)
Drawing No : SPES/Rate23/Cp-67	D.O.A. : <i>C. D. Ashit</i> (G.N.R. Ekanayake)	
Scale : 1 - 20	Technical Officer : <i>[Signature]</i> (L.W. Hemarathne)	 ENGINEERING SERVICES OFFICE. SOUTHERN PROVINCIAL COUNCIL, GALLE. Tel: 09122-42761 / 09122-42769 / 09122-49161 / 09122-59125 / 09122-42562 / 09122-39145 Fax: 09122-42766 / 09122-42765 / 09122-49161 / 09122-39126 E-mail: engserv@spco.lk
Date : 2023-05-08	Design Engineer : <i>N. M. M. M.</i> (Eng. N.M.S. Mammangla)	
Drawn By : <i>[Signature]</i> (K.S. Nishani)	Director (Engineer) : <i>[Signature]</i> (Eng. C.B. Abayaratne)	

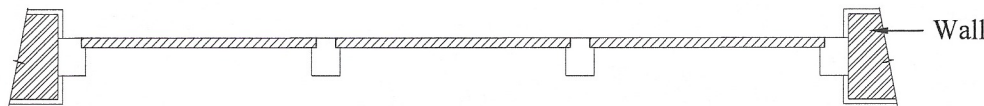
No any alteration is allowed without due permission of DCS(Eng). Any unauthorized alteration is subjected to have disciplinary action. Re-production is not permitted.
DCS(Eng)



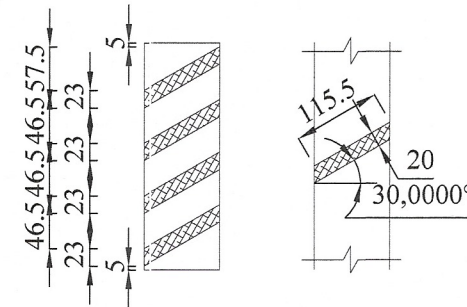
DETAILS OF WINDOW FRAME



DETAILS OF WINDOW SASH




PLAN

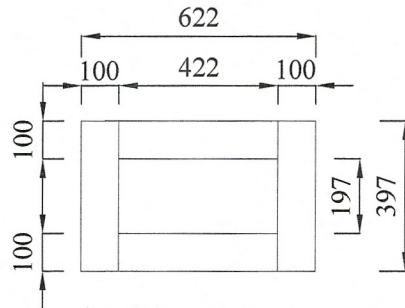


DETAILS OF LOUVERED AREA

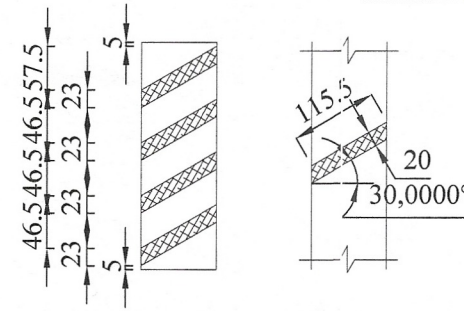
DETAILS OF GLAZED WINDOW WITH LOUVERED ON TOP
(2100 x 1575)

All right reserved this work or any part of there of may not be reproduced without written permission of the Engineering Services Office of southern Provincial council.

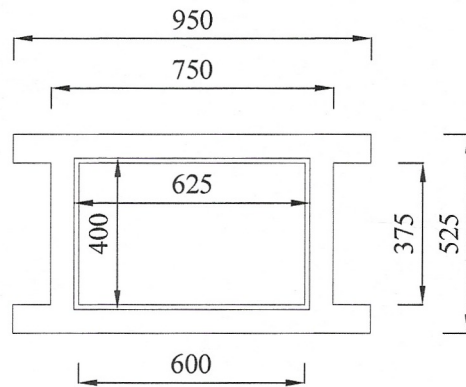
Sheet No : 01	Checked By : <i>S. P. Weethasinghe</i>	DETAILED DRAWING (RATE ANALYSIS)
Drawing No : SPES/Rate23/Cp-71	D.O.A. : <i>G. Rashid</i> (G.M.R. Ekanayake)	
Scale : 1-20	Technical Officer : <i>N. M. M. N. M. N.</i> (L.W. Hemarathna)	 ENGINEERING SERVICES OFFICE. SOUTHERN PROVINCIAL COUNCIL, GALLE. Tel: 09122-42706 / 09122-42709 / 09122-49161 / 09122-30125 / 09122-45351 / 09122-38745 Fax: 09122-42706 / 09122-42709 / 09122-49161 / 09122-30125 E: mail-engineers@spco.lk
Date : 2023-05-08	Design Engineer : <i>N. M. M. N. M. N.</i> (Eng. N.M.S. Munsinghe)	
Drawn By : <i>S. S. N. S.</i> (K. S. Nishan)	Director (Engineer) : <i>C. B. A.</i> (Eng. C.B. Alayudeva)	



DETAILS OF FANLIGHT SASH

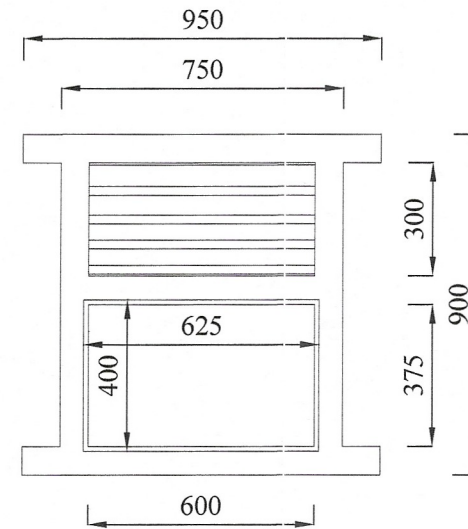


DETAILS OF LOUVERED AREA



DETAILS OF FANLIGHT FRAME WITHOUT LOUVERS


No any alteration is allowed without due permission of DCS(Eng). Any unauthorized alteration is subjected to have disciplinary action. Re-production is not permitted.
DCS(Eng)



DETAILS OF FANLIGHT FRAME WITH LOUVERS

DETAILS OF GLAZED FANLIGHT WITH & WITHOUT LOUVERES

All right reserved this work or any part of there of may not be reproduced without written permission of the Engineering Services Office of southern Provincial council.

Sheet No : 01	Checked By : <i>S.P. Withasinghe</i> (S.P. Withasinghe)	DETAILED DRAWING (RATE ANALYSIS)
Drawing No : SPES/Rate23/Cp-82	D.O.A : <i>G.R. Ekanayake</i> (G.N.R. Ekanayake)	
Scale : 1 - 20	Technical Officer : <i>L.W. Hemarathna</i> (L.W. Hemarathna)	 ENGINEERING SERVICES OFFICE. SOUTHERN PROVINCIAL COUNCIL, GALLE. <small>Tel: 09122-42786 / 09122-42785 / 09122-48161 / 09122-39125 / 09122-48381 / 09122-39745 Fax: 09122-42786 / 09122-42785 / 09122-48161 / 09122-39125 E-mail: engservices@spcra.com</small>
Date : 2023-05-08	Design Engineer : <i>N.M.S. Munsiri</i> (Eng. N.M.S. Munsiri gmc)	
Drawn By : <i>Sunil</i> (K.S. Nishant)	Director (Engineer) : <i>C.B. Abeyaratne</i> (Eng. C.B. Abeyaratne)	