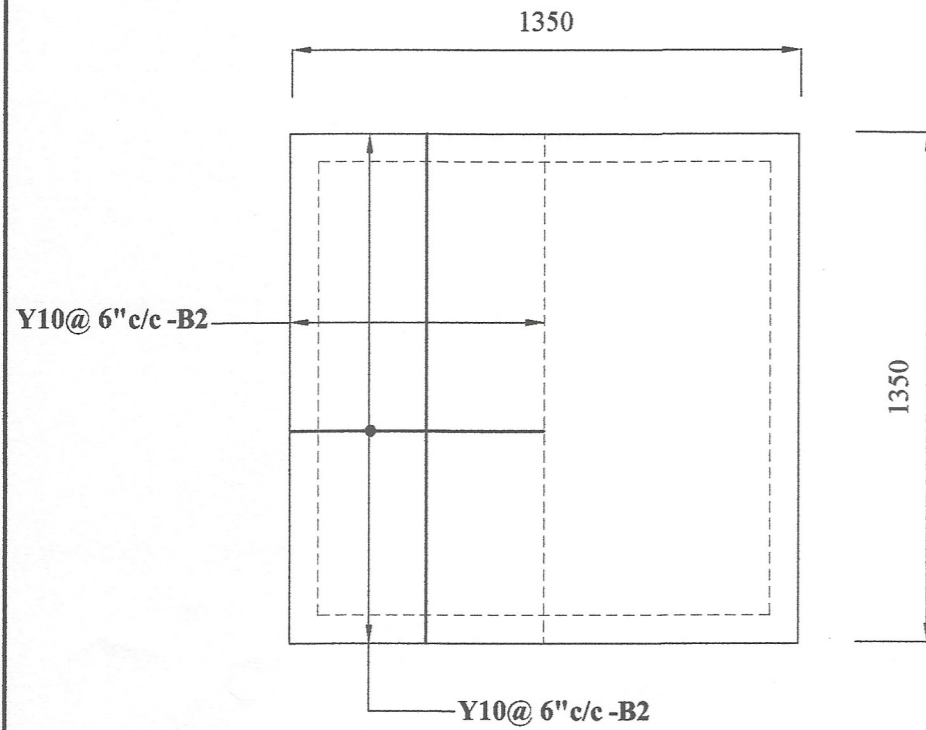
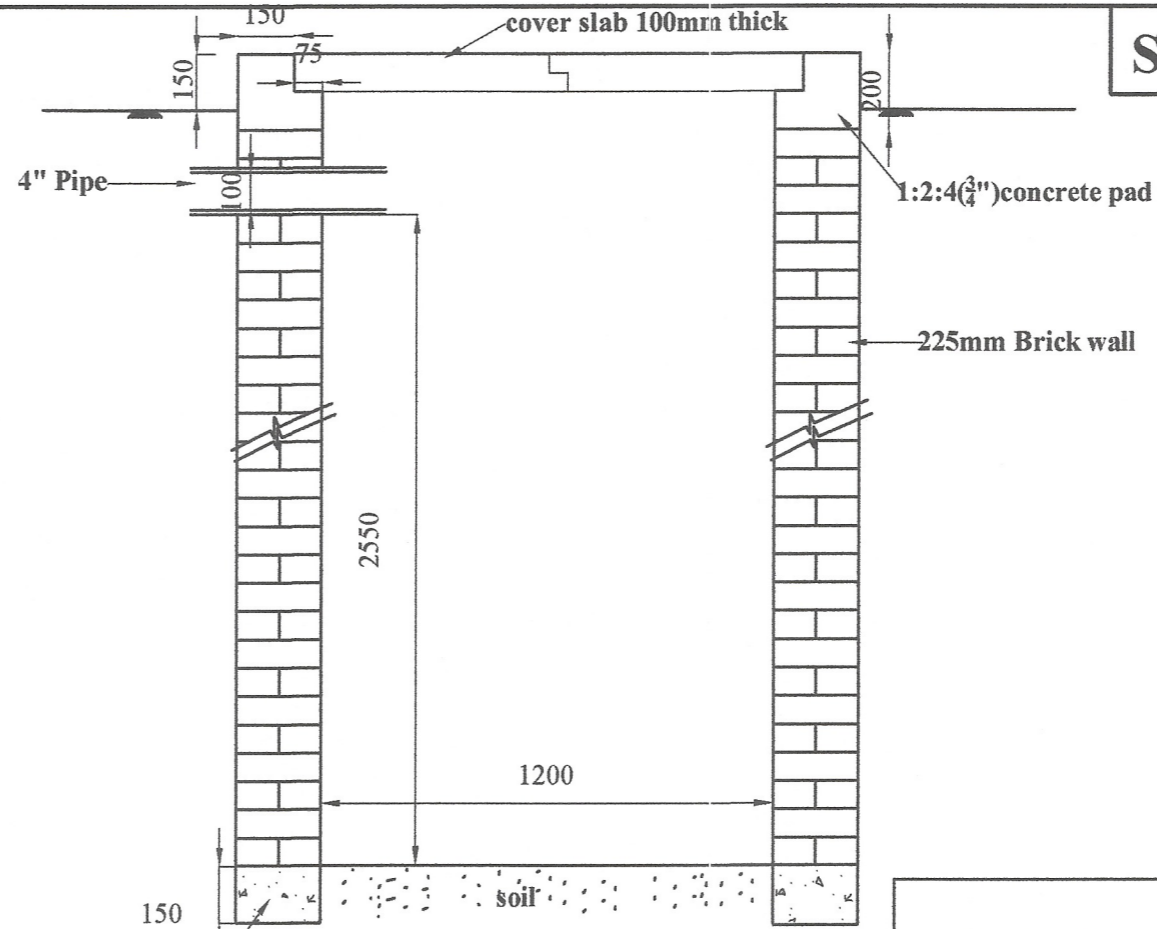


1200 x1200 x2700(internal) - SOACKAGE PIT

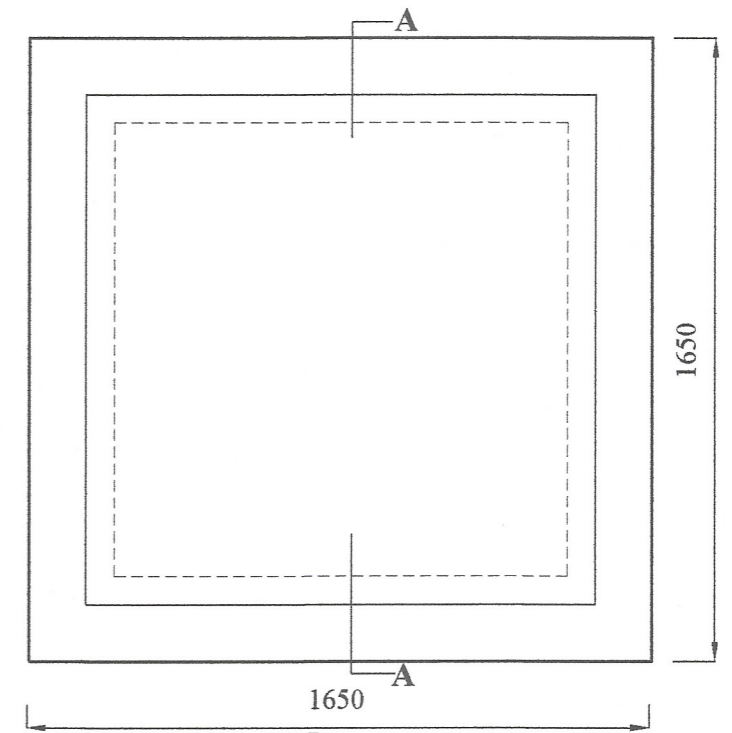
SPES/rate 23/BK10



r/f detail of cover slab



A-A sectional elevation



plan

No any alteration is allowed without due permission of DCS(Eng). Any unauthorized alteration is subjected to have disciplinary action. Re-production is not permitted.
DCS(Eng)

TYPE PLAN OF SOAKAGE PIT(1200x1200x2700 internal)

All right reserved this work or any part of there of may not be reproduced without written permission of the Engineering Services office of southern Provincial council.

Sheet No : 06	Checked By : <i>S. P. Weerasinghe</i> (S. P. Weerasinghe)
Drawing No : SPES/rate23/BK10	D.O.A. : <i>C. B. Abeyaratne</i> (C. B. Abeyaratne)
Scale : 1 - 20	Engineer Asistant : <i>N. M. M. M. M.</i> (H.K.S. Premathilaka)
Date : 2023-06-08	Design Engineer : <i>N. M. M. M.</i> (Eng. N.M.S. Munsinghe)
Drawn By : indika	Director (Engineer) : <i>C. B. Abeyaratne</i> (Eng. C.B. Abeyaratne)

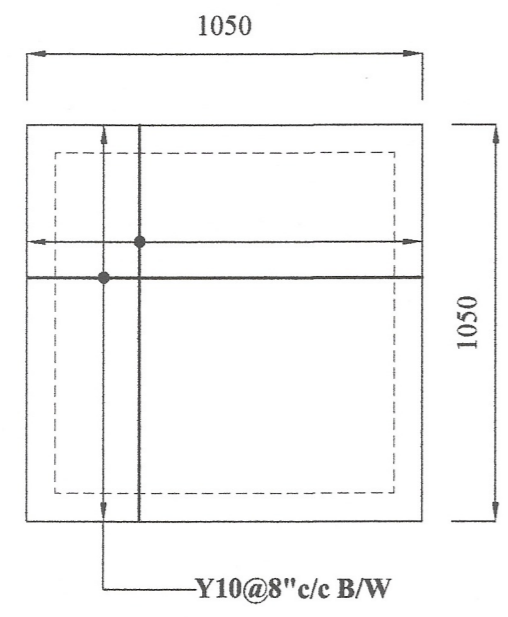
DETAILED DRAWING
(RATE ANALYSIS)



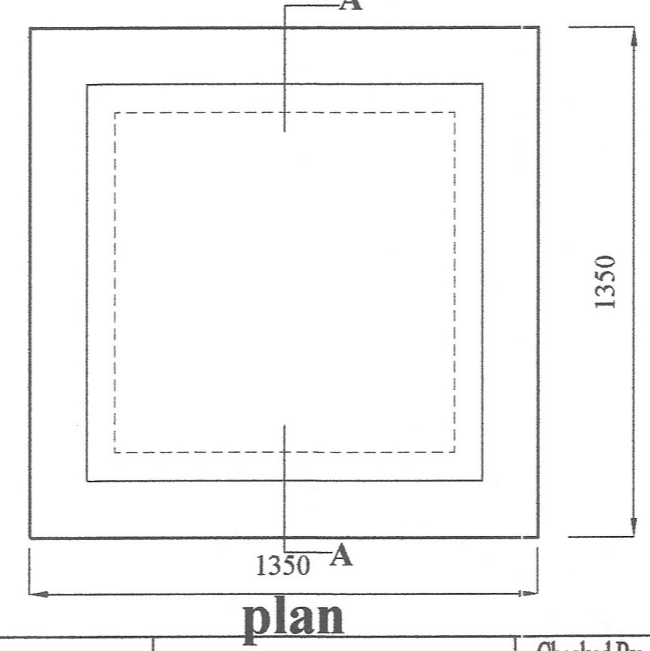
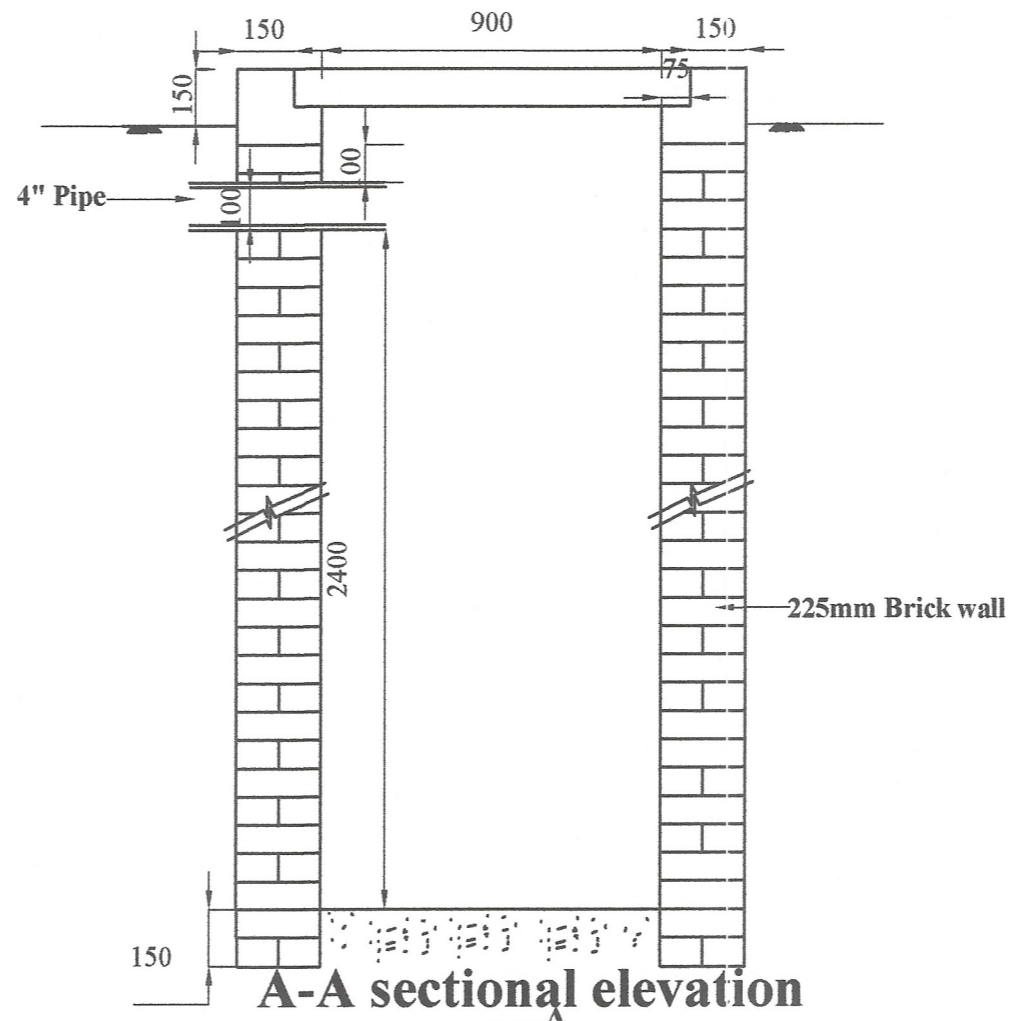
ENGINEERING SERVICES OFFICE.
SOUTHERN PROVINCIAL COUNCIL, GALLE.

Tel: 09122-42786 / 09122-42785 / 09122-40101 / 09122-39125 / 09122-48282 / 09122-48745
FAX: 09122-42788 / 09122-42789 / 09122-40101 / 09122-39125 E-mail: engserv@spc.gov.lk

900 x 900 x 2700 (internal) - URINAL PIT



COVER SLAB



No any alteration is allowed without due permission of DCS(Eng). Any unauthorized alteration is subjected to have disciplinary action. Re-production is not permitted.
DCS(Eng)

TYPE PLAN OF URINAL PIT(900x900x2700 internal)

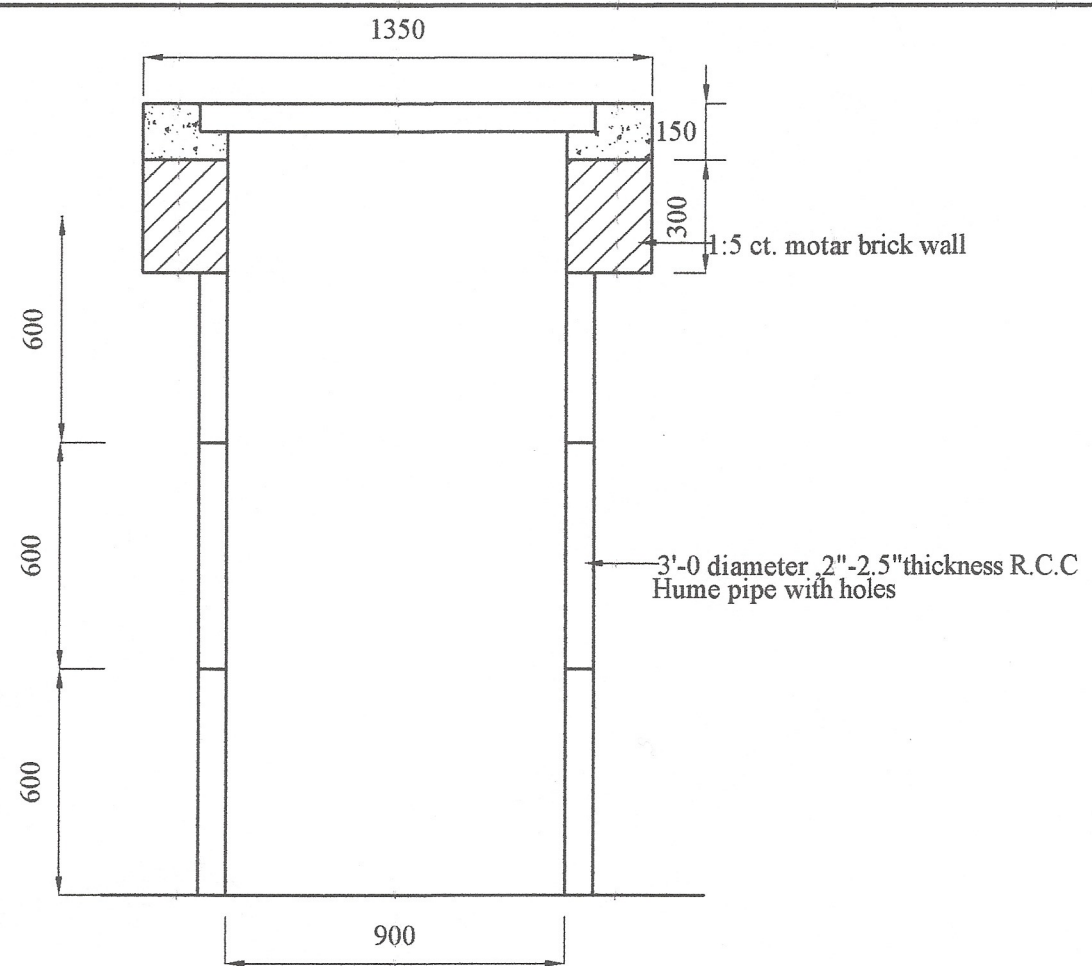
All right reserved this work or any part of there of may not be reproduced without written permission of the Engineering Services office of southern Provincial council.

Sheet No : 05	Checked By : <i>S. P. Welthasinghe</i> (S. P. Welthasinghe)
Drawing No : SPES/rate23/BK11	D.O.A. : <i>C.P. Ashoka</i> (G.N.R. Ekmanayake)
Scale : 1-20	Engineer Asistant : <i>Ked</i> (H.K.S. Premathilaka)
Date : 2023-06-08	Design Engineer : <i>N. Noyi</i> (Eng. N.M.S. Mnasasinghe)
Drawn By : indika	Director (Engineer) : <i>C.B. Abeydeera</i> (Eng. C.B. Abeydeera)

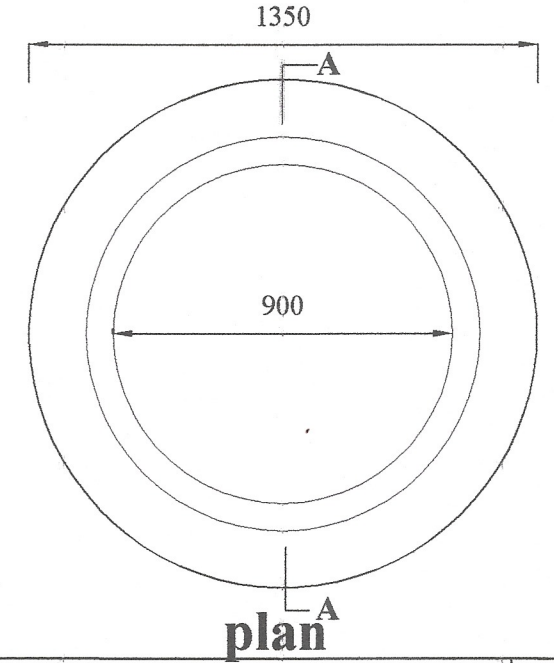
DETAILED DRAWING
(RATE ANALYSIS)

ENGINEERING SERVICES OFFICE.
SOUTHERN PROVINCIAL COUNCIL, GALLE.

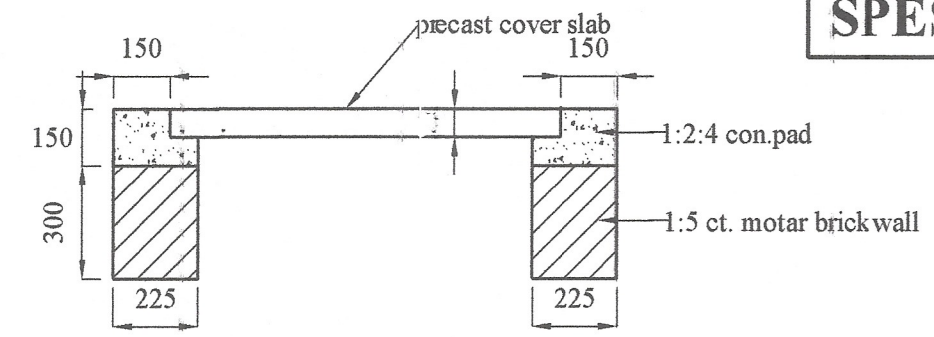
Tel: 09122-42786 / 09122-42785 09122-49161 / 09122-39125 / 09122-46262 / 09122-39745
FAX: 09122-42788 / 09122-42789 09122-49161 / 09122-39125 E-mail: engserv@spc.gov.lk



A-A sectional elevation



plan



cover slab

No any alteration is allowed without due permission of DCS(Eng). Any unauthorized alteration is subjected to have disciplinary action. Re-production is not permitted.
DCS(Eng)

**TYPE PLAN OF HUME PIPE
SOAKAGE PIT**

All right reserved this work or any part of there of may not be reproduced without written permission of the Engineering Services office of southern Provincial council.

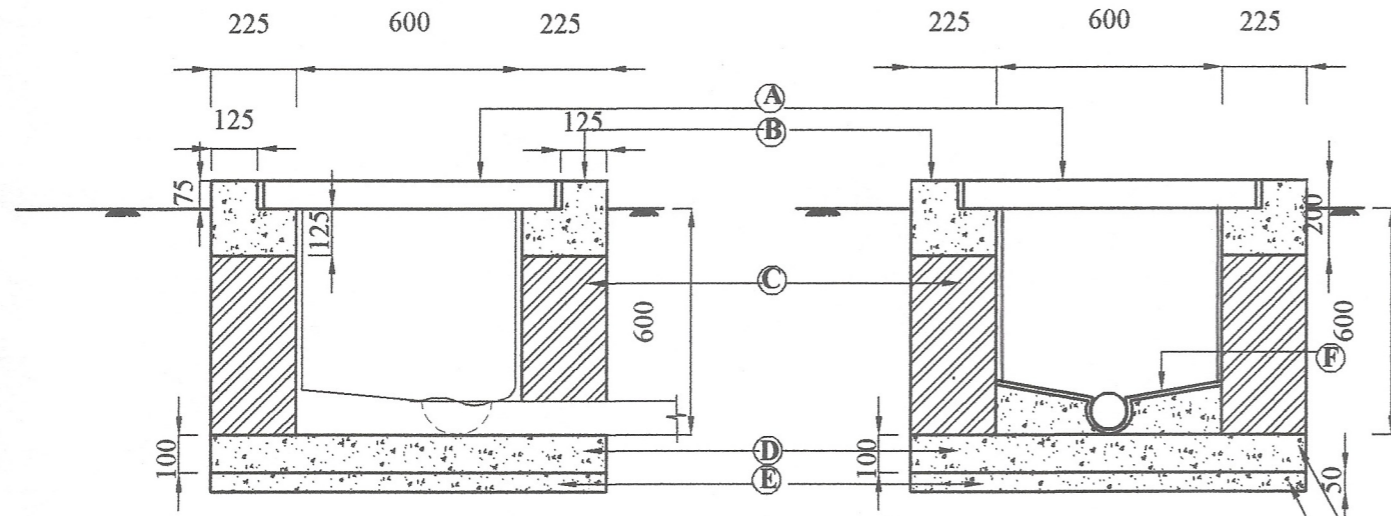
Sheet No : 09	Checked By : <i>S. P. Wethasinghe</i>
Drawing No : SPES/rate23/BK12	D.O.A. : <i>C. B. D.</i>
Scale : 1 - 20	Engineer Asistant : <i>S. P. Wethasinghe</i>
Date : 2023-06-08	Design Engineer : <i>N. Manjula</i>
Drawn By : indika	Director (Engineer) : <i>C. B. D.</i>

**DETAILED DRAWING
(RATE ANALYSIS)**

ENGINEERING SERVICES OFFICE.
SOUTHERN PROVINCIAL COUNCIL, GALLE.

Tel: 09122-42786 / 09122-42787 / 09122-48181 / 09122-36126 / 09122-48282 / 09122-38745
FAX: 09122-42788 / 09122-42789 / 09122-48181 / 09122-38125 E-mail: engserv@spc.gov.lk

600X600X600 MANHOLE(SEWER)

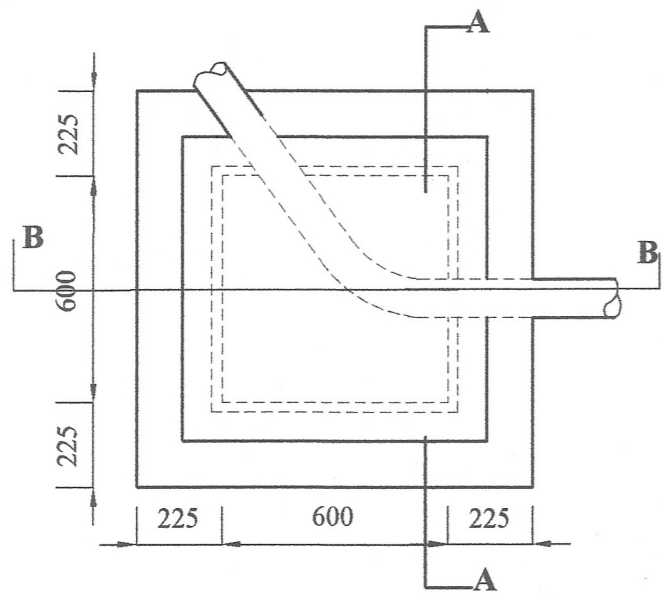


section B - B

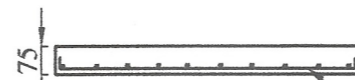
section A-A

- Ⓐ cover slab -75mm thick 1:2:4 cement concrete with Y10@150mm c/c(both ways)
- Ⓑ 1:2:4 (3/4") cement concrete
- Ⓒ 225mm thick brick wall in cement mortar 1:3 with 20mm thick
- Ⓓ 1:2:4 (3/4") cement concrete with 100mm thick rendering with pudlo
- Ⓔ 50mm thick 1:3:6 (1") screed concrete
- Ⓕ benching 1 in 6

100mm 4" thick 1:2:4 (3/4") mass concrete
50mm thick 1:3:6 screed concrete

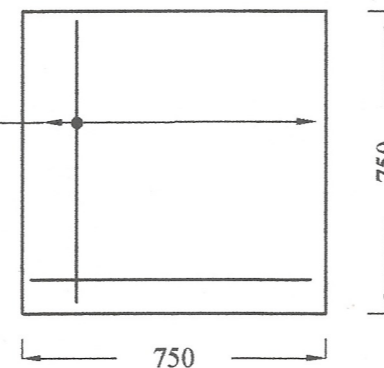


plan



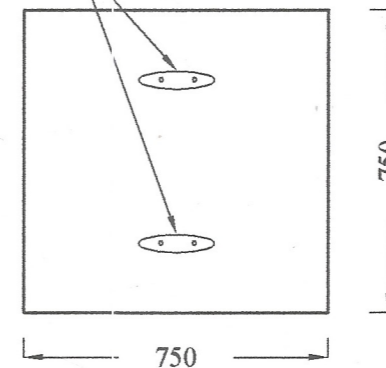
Y10@6" CRS(B/W)

Y10@6" c/c -B/W



r/f detail of cover slab

lifting handles



cover slab

No any alteration is allowed without due permission of DCS(Eng). Any unauthorized alteration is subjected to have disciplinary action. Production is not permitted.
DCS(Eng)

TYPE PLAN OF MANHOLE

All right reserved this work or any part of there of may not be reproduced without written permission of the Engineering Services office of southern Provincial council.

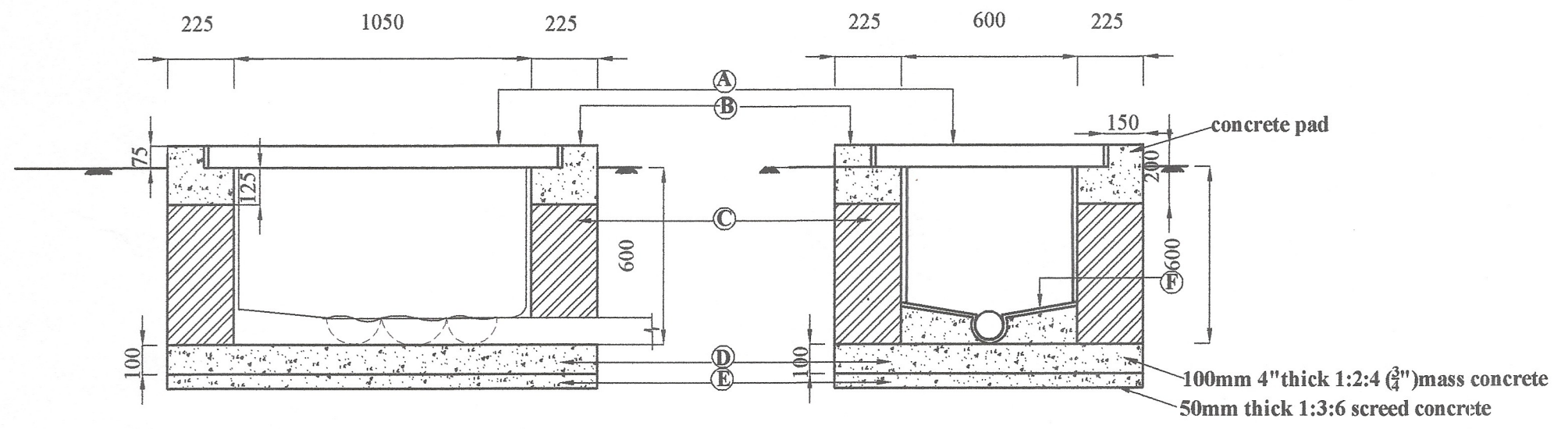
Sheet No : 01	Checked By : <i>S. P. Weerasinghe</i>
Drawing No : SPES/rate23/BK13	D.O.A. : <i>C. Rashid</i>
Scale : 1 - 20	Engineer Assistant : <i>[Signature]</i>
Date : 2023-06-08	Design Engineer : <i>N. Manjula</i>
Drawn By : indika	Director (Engineer) : <i>C. B. A.</i>

DETAILED DRAWING
(RATE ANALYSIS)

ENGINEERING SERVICES OFFICE.
SOUTHERN PROVINCIAL COUNCIL, GALLE.

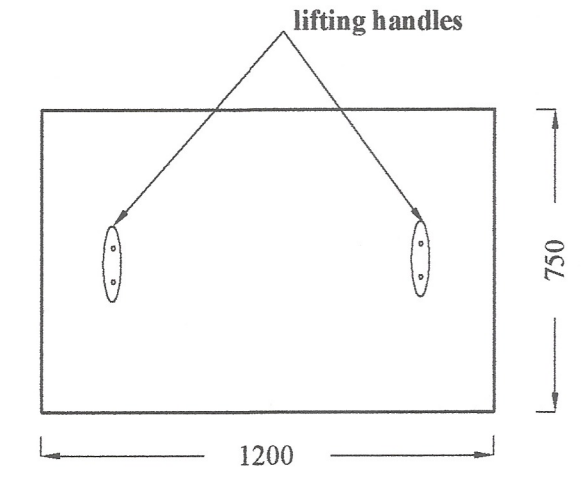
Tel: 09122-42788 / 09122-42789 / 09122-46161 / 09122-59125 / 09122-46282 / 09122-593745
Fax: 09122-42788 / 09122-42789 / 09122-46161 / 09122-59125 E-mail: engserv@yaho.com

1050X600X600 MANHOLE (SEWER)

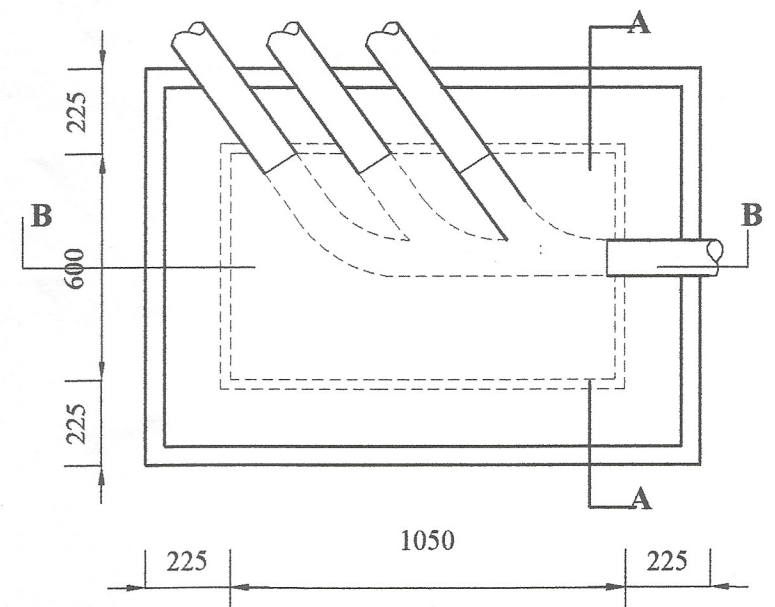


section B - B

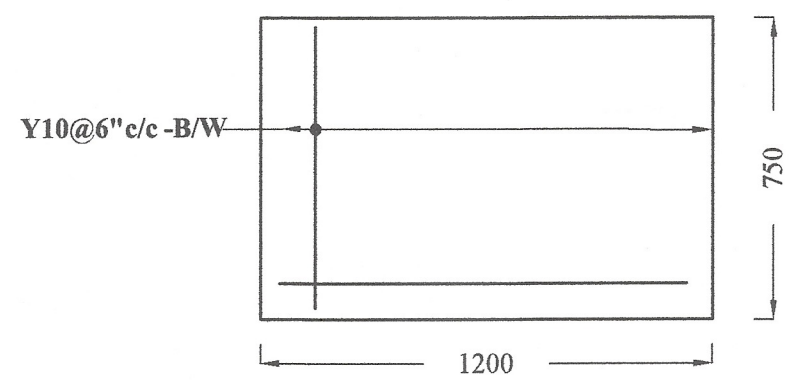
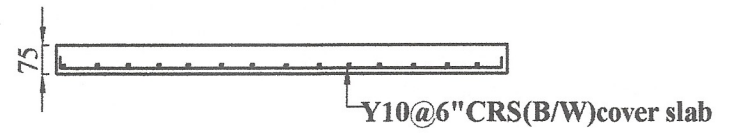
section A-A



cover slab



Plan



r/f detail of cover slab

- Ⓐ cover slab -75mm thick 1:2:4: cement concrete with Y10@150mm c/c(both ways)
- Ⓑ 1:2:4 (3/4") cement concrete
- Ⓒ 225mm thick brick wall in cement motar 1:3 with 20mm thick
- Ⓓ 1:2:4 (3/4") cement concrete with 100mm thick rendering with pudlo
- Ⓔ 50mm thick 1:3:6 (1") screed concrete
- Ⓕ benching 1 in 6

No any alteration is allowed without due permission of DCS(Eng). Any unauthorized alteration is subjected to have disciplinary action. Re-production is not permitted.
DCS(Eng)

TYPE PLAN OF MANHOLE

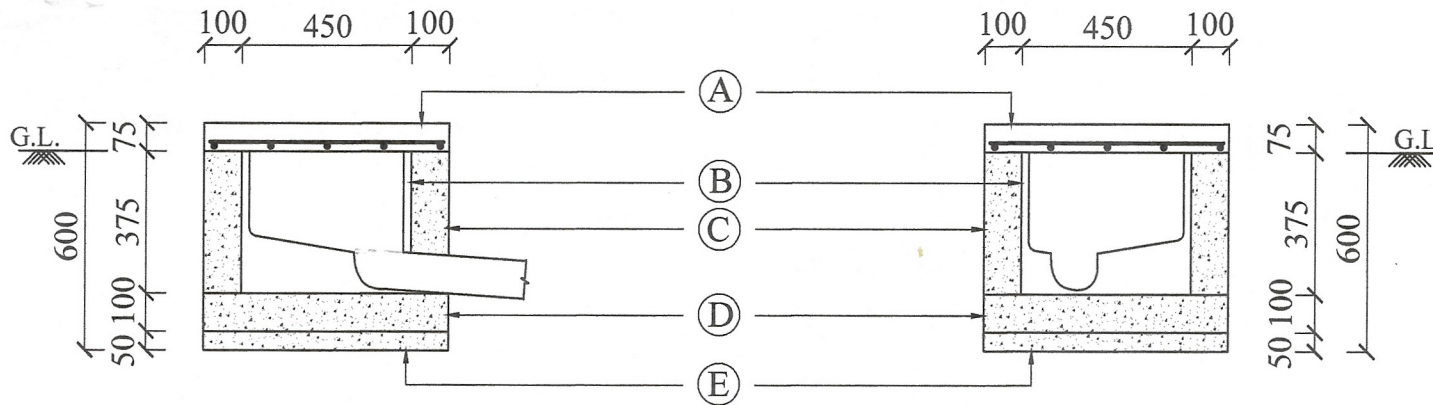
All right reserved this work or any part of there of may not be reproduced without written permission of the Engineering Services office of southern Provincial council.

Sheet No	: 07	Checked By	: S. P. Weerasinghe
Drawing No	: SPES/rate23/BK14	D.O.A.	: G.N.M. Ranasinghe
Scale	: 1 - 20	Engineer Asistant	: H.K.S. Perera
Date	: 2023-06-08	Design Engineer	: N. Manjula
Drawn By	: indika	Director (Engineer)	: C.B. Abeyaratne

DETAILED DRAWING
(RATE ANALYSIS)

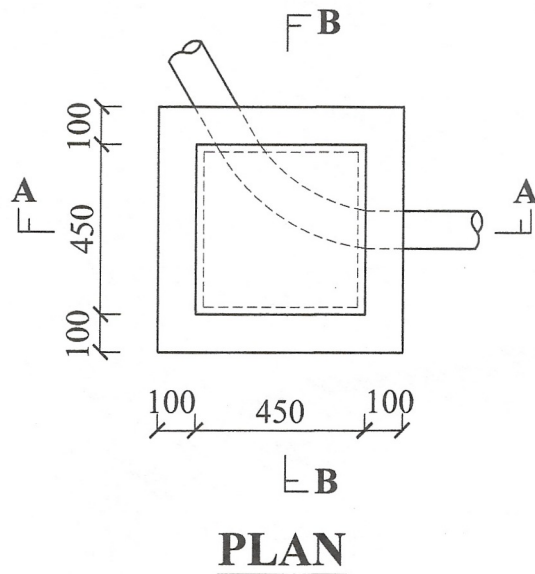
ENGINEERING SERVICES OFFICE.
SOUTHERN PROVINCIAL COUNCIL, GALLE.

Tel: 09122-42788 / 09122-42789 / 09122-48161 / 09122-93125 / 09122-48282 / 09122-83745
FAX: 09122-42788 / 09122-42789 / 09122-48161 / 09122-93125 E-mail: engserv@spc.gov.lk



SECTION A-A

SECTION B-B



PLAN

- Ⓐ — 75 mm thick cover slab with 1:2:4 (20 mm) concrete with 10 mm dia. Tor steel at 150 mm c/c
- Ⓑ — 1:3 , 20 mm thick plaster with LATEX - 302
- Ⓒ — 100 mm wide 1:2:4 (20 mm) concrete wall.
- Ⓓ — 100 mm thick 1:2:4 (20 mm) concrete base.
- Ⓔ — 1:3:6 (25 mm) screed concrete.

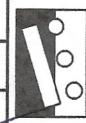
No any alteration is allowed without due permission of DCS(Eng). Any unauthorized alteration is subjected to have disciplinary action. Re-production is not permitted.
DCS(Eng)

TYPE PLAN OF CONCRETE MANHOLE

All right reserved this work or any part of there of may not be reproduced without written permission of the Engineering Services Office of southern Provincial council.

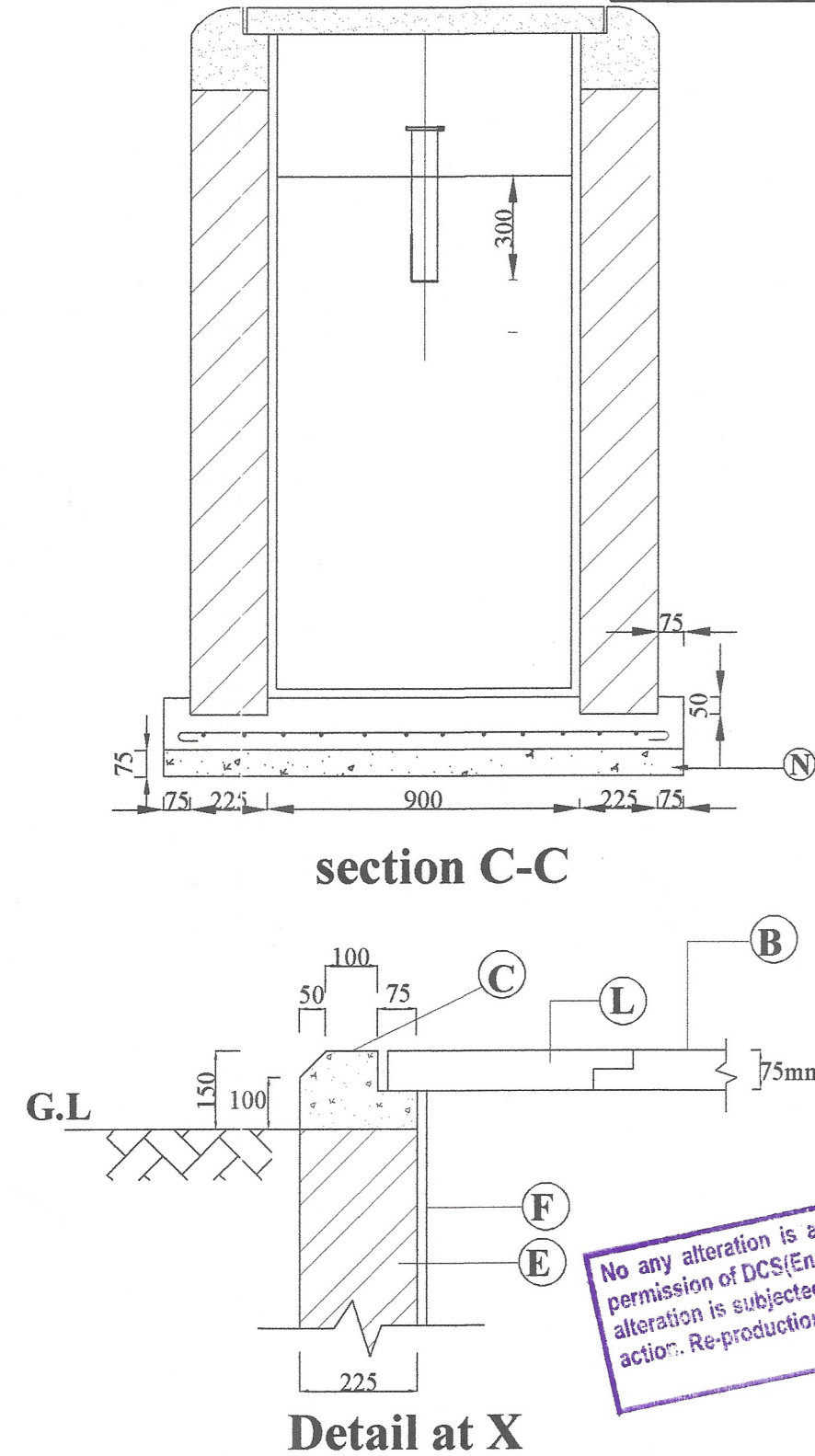
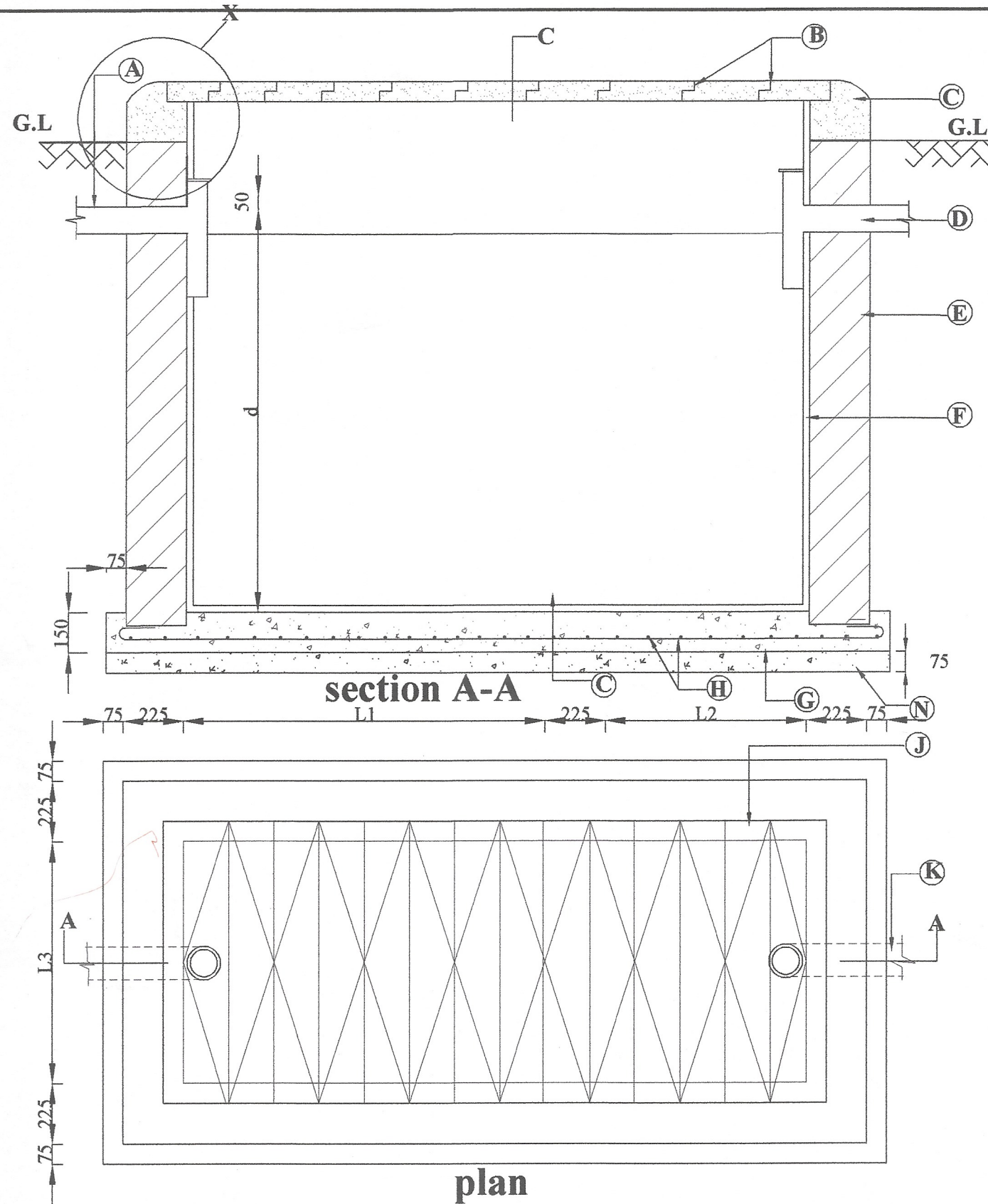
Sheet No : 01	Checked By : <i>S.P. Weerasinghe</i>
Drawing No : SPES / Rate 23 / BK - 15	D.O.A. (G.N.R. Ekanayake) : <i>C.P. Rajapaksa</i>
Scale : 1 : 20	Engineer Assistant : (H.K.S. Premathilake) : <i>A.S.D.</i>
Date : 2023-09-05	Design Engineer (Eng. N.M.S. Manasinghe) : <i>N.M.S.</i>
Drawn By : <i>Made</i> (P. Madushanka)	Director (Engineering) (Eng. C.B. Abayawardena) : <i>C.B. Abayawardena</i>

DETAILED DRAWING (RATE ANALYSIS)



ENGINEERING SERVICES OFFICE.
SOUTHERN PROVINCIAL COUNCIL, GALLE.

Tel- 09122-42766 / 09122-42765 / 09122-46191 / 09122-33125 / 09122-46262 / 0909330145
Fax- 09122-42766 / 09122-42765 / 09122-46191 / 09122-33125 E-mail- engerscp@yaho.com



No any alteration is allowed without due permission of DCS(Eng). Any unauthorized alteration is subjected to have disciplinary action. Re-production is not permitted.
DCS(Eng)

TYPE PLAN OF SEPTIC TANK FOR 25 PERSONS

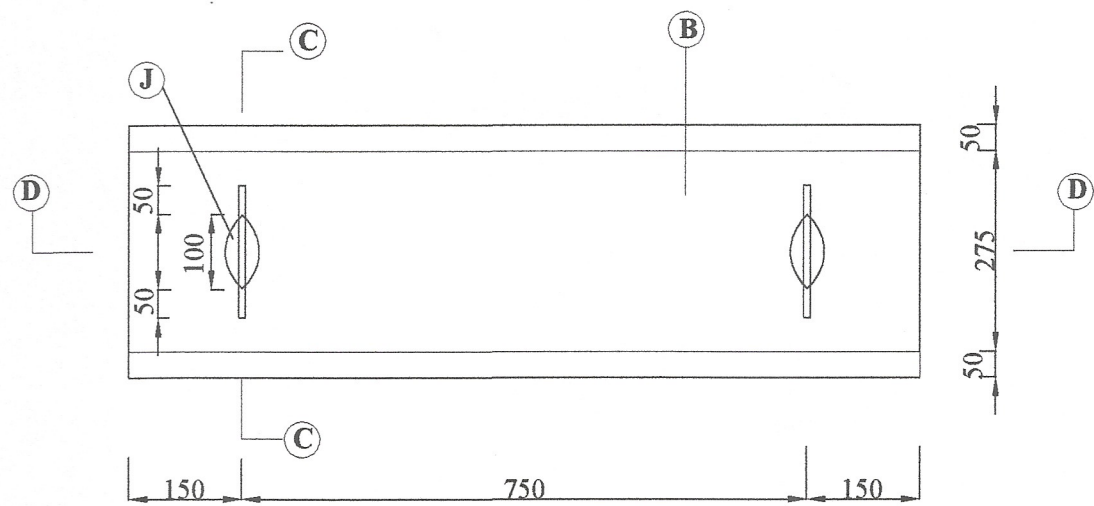
All right reserved this work or any part of there of may not be reproduced without written permission of the Engineering Services office of southern Provincial council.

Sheet No : 08	Checked By : (S.P. Welisariyasinghe)
Drawing No : SPES/rate23/BK16	D.O.A. : (G.N.R. Ranayake)
Scale : 1-20	Engineer Asistant : (H.K.S. Premathilaka)
Date : 2023-06-08	Design Engineer : (Eng. N.M.S. Munsasinghe)
Drawn By : indika	Director (Engineer) : (Eng. C.B. Abeyaratne)

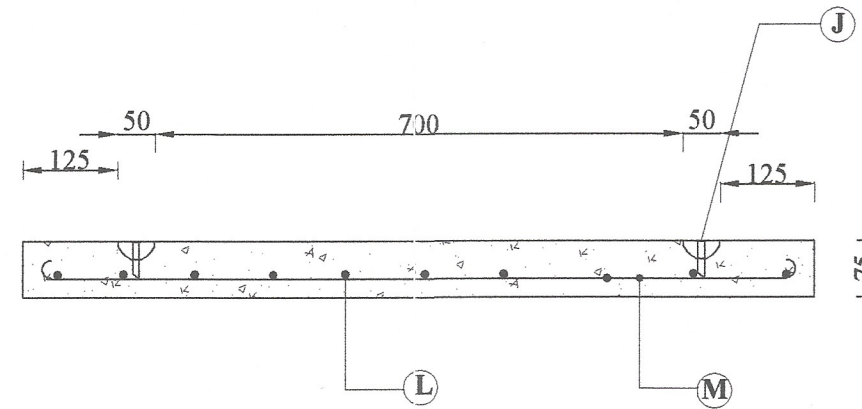
DETAILED DRAWING
(RATE ANALYSIS)

ENGINEERING SERVICES OFFICE.
SOUTHERN PROVINCIAL COUNCIL, GALLE.

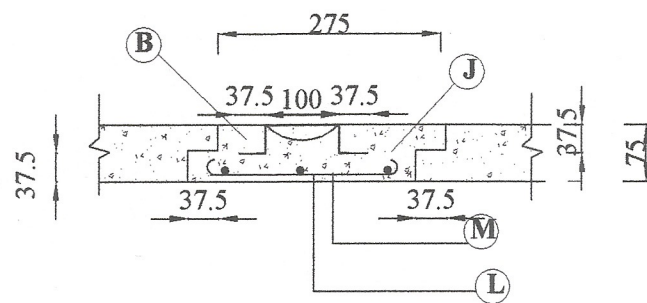
Tel: 09122-42786 / 09122-42785 / 09122-46161 / 09122-39126 / 09122-40282 / 0902308745
FAX: 09122-42788 / 09122-42789 / 09122-46161 / 09122-33125 E-mail: engserv@spc.gov.lk



cover slab detail



section D-D



section C-C

NOTE:

- 1) THICKNESS OF THE WALL TO BE 133 1/2" IF TOTAL DEPTH BELOW GROUND LEVEL IS GREATER THAN 8'-0"
- 2) FOUNDATION TO BE 6" THICK CT. CON. 1:2:4 (3/4") R/F WITH 10mm DIA. BARS AT 9" C/C BOTHWAYS
- 3) INTERNAL FACE OF TANK TO BE RENDERED SMOOTH IN CT. MORTAR 1:2 1/2" THICK WITH 5% PUDLO
- 4) SEPTIC TANK TO BE FILLED WITH WATER UP TO TWL BEFORE BEING PUT INTO USE
- 5) FOR INLET & OUTLET CHAMBERS REFER DWG. NO WSS 511.00

- A) S.W INLET PIPE PROVIDED WITH S.W.T OR 1 1/4" THICK MILLA OR TEAK AS AN ALTERNATIVE
- B) 3" THICK CT. CON 1:2:4 (3/4") REINFORCED PRE-CAST COVER SLABS JOINTS TO BE FILLED WITH BITUMAN AND SAND
- C) CT. CON. PAD 1:2:4 (3/4")
- D) EFFLUENT
- E) 9" THICK BRICK WORK IN CT MOTAR 1:5
- F) 3/4" THICK CEMENT PLASTERING 1:2
- G) 6" THICK BASE SLAB 1:2:4 (3/4") NO SLOPE TO BE PROVIDED
- H) 10mm DIA. BARS AT 9" C/C. BOTHWAYS
- J) 2 NOS SLAB ABOVE INLET & OUTLET TO BE WITH 3/8" DIA. M.S LIFTING HANDLES PER DETAIL ALL OTHER WITHOUT LIFTING HANDLES
- K) S.W. OUTLET PIPE
- L) 1/4" 6mm DIA. BARS AT 225mm C/C
- M) 3 NOS 10mm DIA TOR STEEL
- N) 75mm THICK SCREED CONCRETE WITH 1:3:6

DIMENSION OF SEPTIC TANKS				
PERSONS	L ₁ +L ₂	L ₁	L ₂	L ₃
30	7'-0"	4'-6"	2'-6"	3'-0"
40	8'-0"	5'-0"	3'-0"	-do-
50	9'-0"	5'-6"	3'-6"	-do-
60	10'-0"	6'-0"	4'-0"	-do-
70	10'-0"	6'-6"	3'-6"	3'-6"
80	11'-0"	7'-0"	4'-0"	-do-
90	12'-0"	7'-6"	4'-6"	-do-
100	13'-0"	8'-6"	4'-6"	-do-

DIMENSIONS OF SEPTIC TANKS			
PERSONS	L ₁	L ₂	d
10	6'-6"	2'-6"	4'-6"
15	7'-0"	do	do
20	7'-6"	do	do
25	8'-0"	do	do

No any alteration is allowed without due permission of DCS(Eng). Any unauthorized alteration is subjected to have disciplinary action. Re-production is not permitted.
 DCS(Eng)

TYPE PLAN OF SEPTIC TANK FOR 25 PERSONS & 30-100 PERSONS

All right reserved this work or any part of there of may not be reproduced without written permission of the Engineering Services office of southern Provincial council.

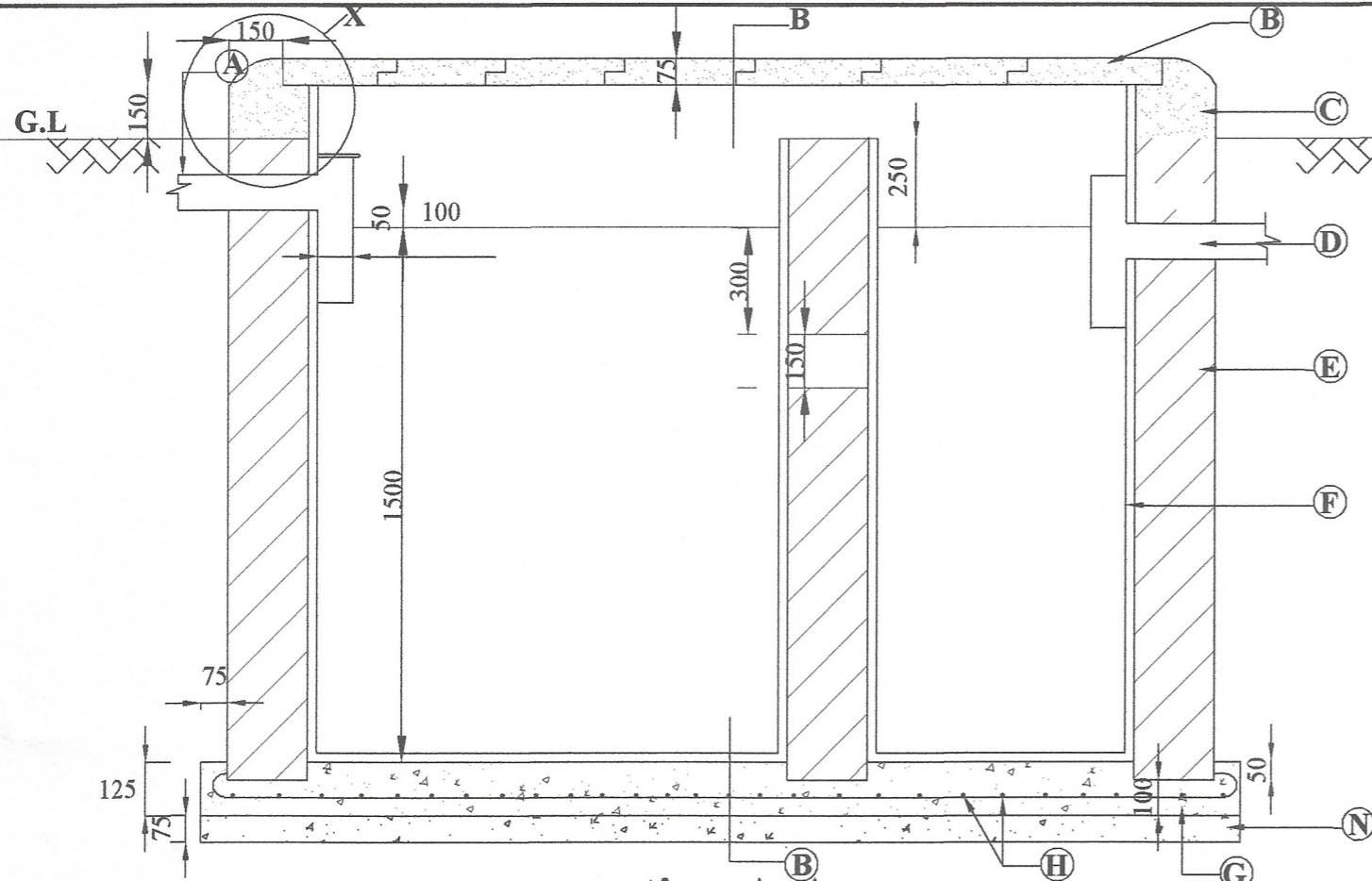
Sheet No	: 03	Checked By	: (S.P. Wehthasinghe)
Drawing No	: SPES/rate23/BK17	D.O.A.	: (G.N.K. Ekamayake)
Scale	: 1-20	Engineer Asistant	: (H.K.S. Premathilaka)
Date	: 2023-06-08	Design Engineer	: (Eng. N.M.S. Munsasinghe)
Drawn By	: indika	Director (Engineer)	: (Eng. C.B. Abeyweera)

DETAILED DRAWING
(RATE ANALYSIS)

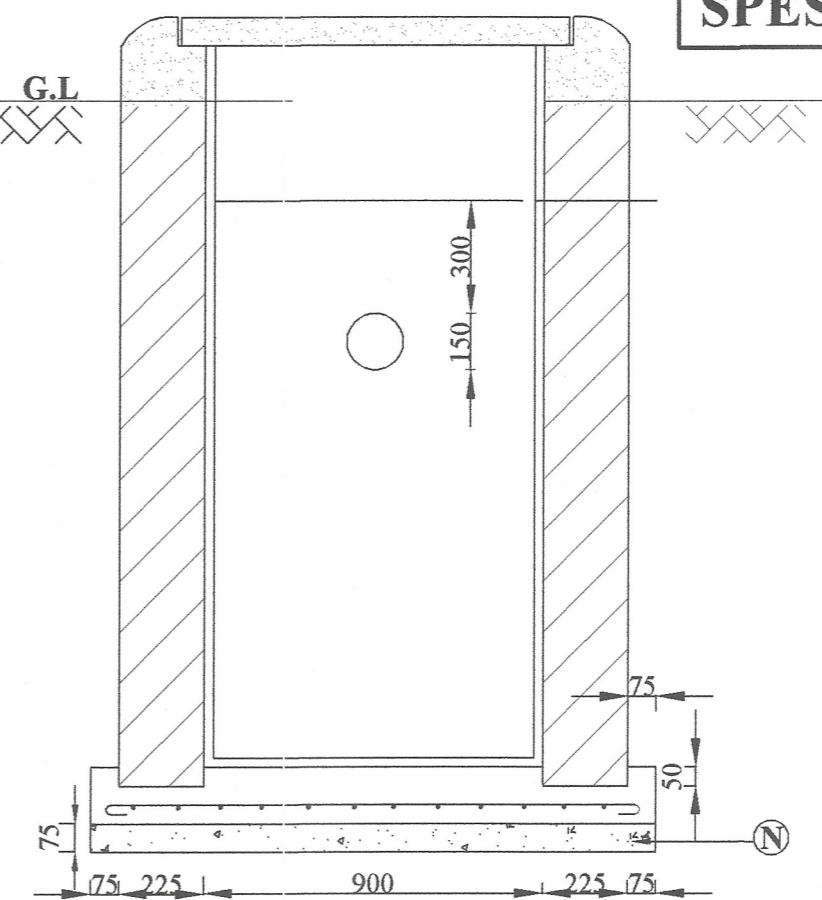


ENGINEERING SERVICES OFFICE.
SOUTHERN PROVINCIAL COUNCIL, GALLE.

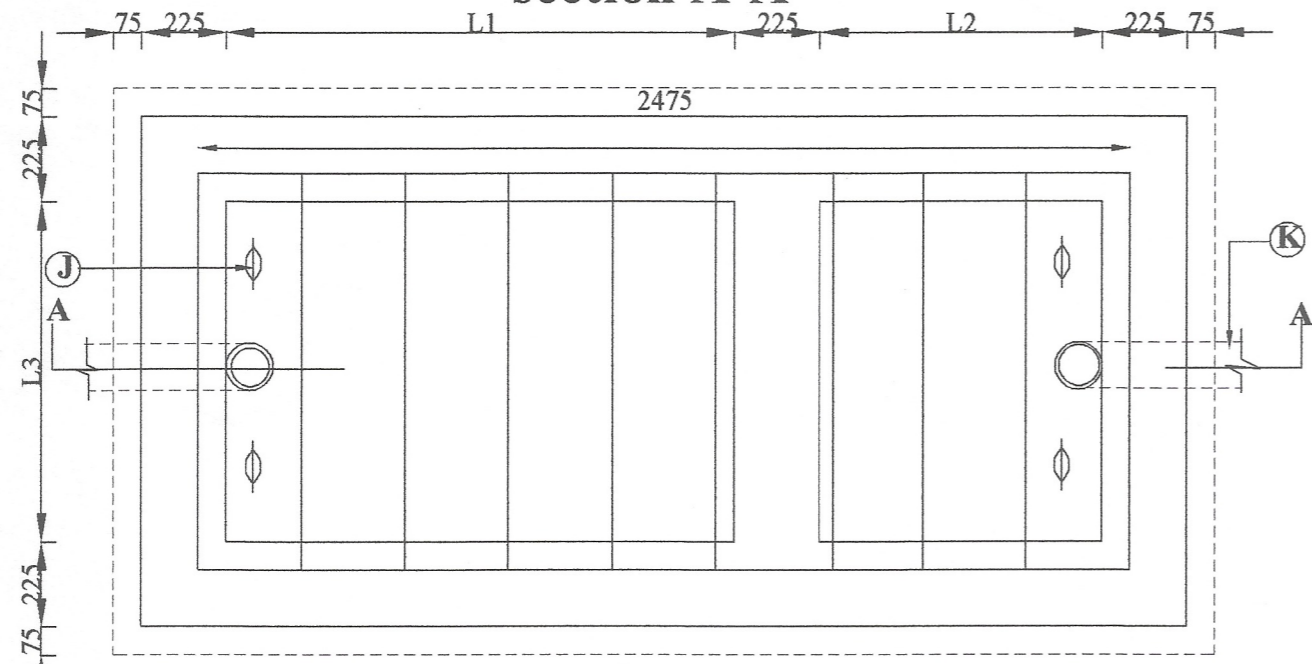
Tel: 09122-42789 / 09122-42785 09122-46161 / 09122-39125 / 09122-46282 / 09122-368745
 FAX: 09122-42788 / 09122-42783 09122-46161 / 09122-33125 E-mail: engserv@spc.gov.lk



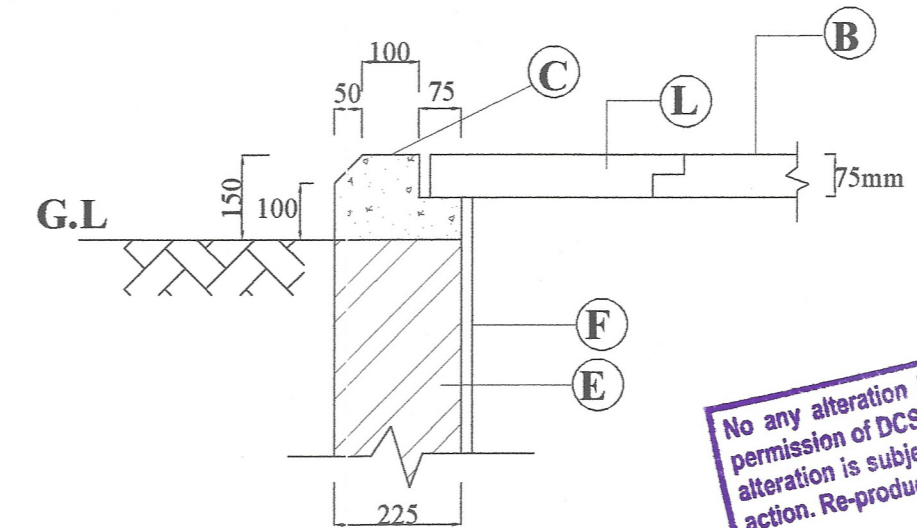
section A-A



section B - B



plan



Detail at X

No any alteration is allowed without due permission of DCS(Eng). Any unauthorized alteration is subjected to have disciplinary action. Re-production is not permitted.
DCS(Eng)

**TYPE PLAN OF SEPTIC TANK FOR
30-100 PERSONS**

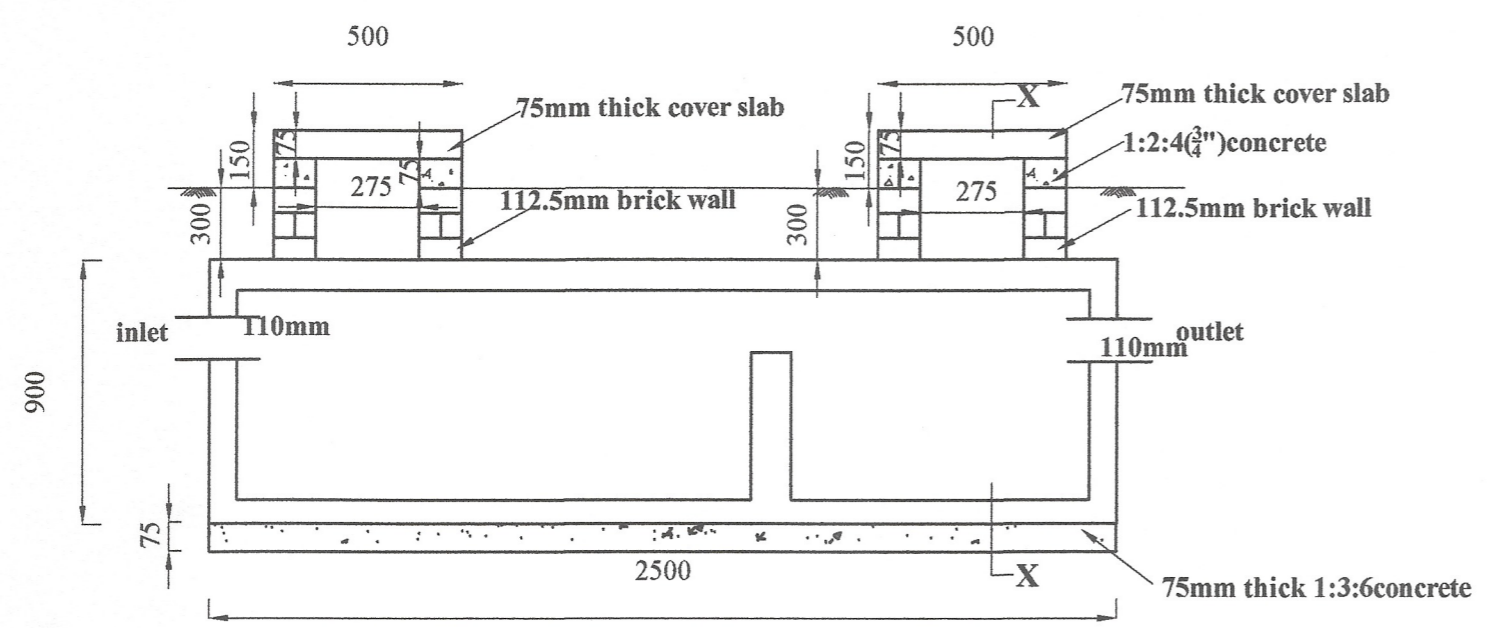
All right reserved this work or any part of there of may not be reproduced without written permission of the Engineering Services office of southern Provincial council.

Sheet No	: 02	Checked By	: (S.P. Welthoenighe)
Drawing No	: SPES/rate23/BK17	D.O.A.	: (G.N.R. Prasanna)
Scale	: 1-20	Engineer Asistant	: (H.K.S. Premathilaka)
Date	: 2023-06-08	Design Engineer	: (Eng. N.M.S. Munsinghe)
Drawn By	: indika	Director (Engineer)	: (Eng. C.B. Abeydeera)

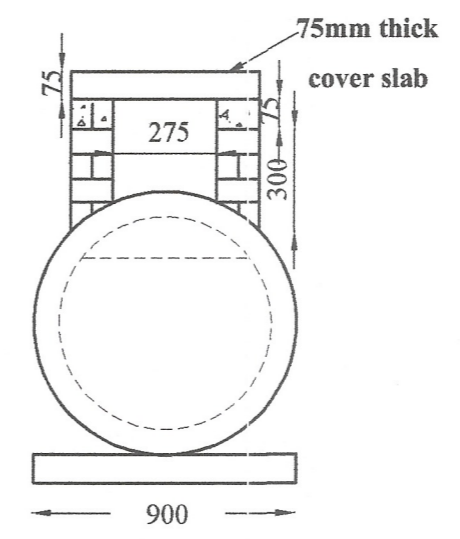
**DETAILED DRAWING
(RATE ANALYSIS)**

ENGINEERING SERVICES OFFICE.
SOUTHERN PROVINCIAL COUNCIL, GALLE.

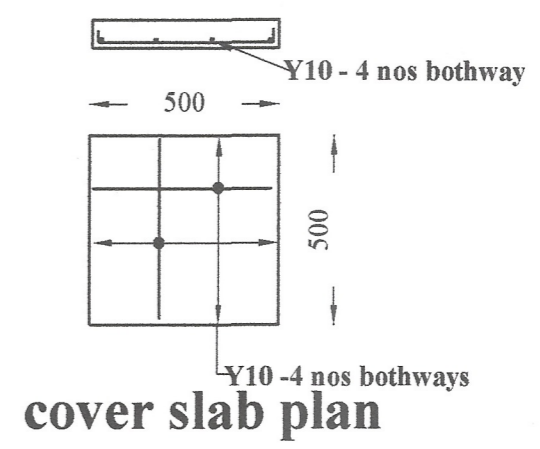
Tel: 09122-42766 / 09122-42765 / 09122-46161 / 09122-38125 / 09122-46262 / 09122-38745
Fax: 09122-42768 / 09122-42769 / 09122-46161 / 09122-38125 E-mail: engserv@spc.gov.lk



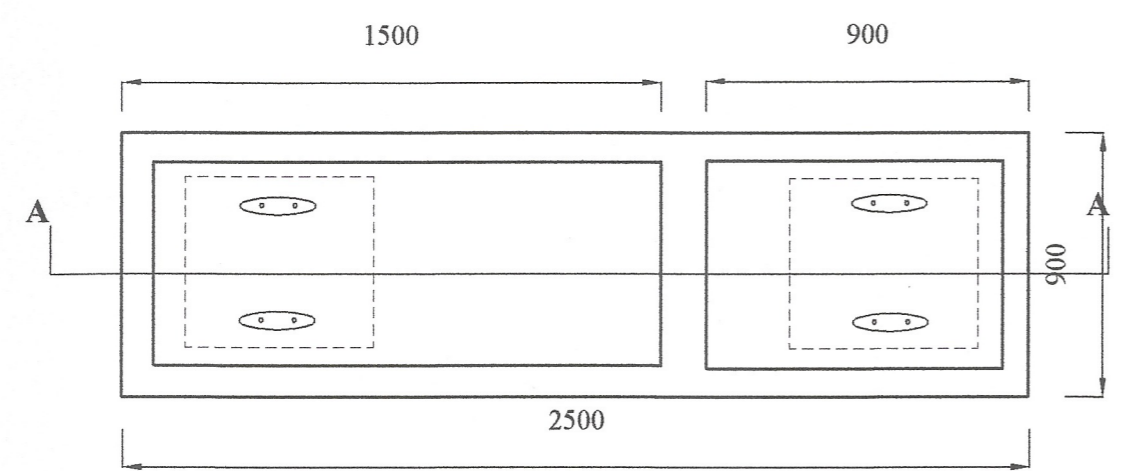
A-A sectional elevation



section X-X



cover slab plan



PLAN

No any alteration is allowed without due permission of DCS(Eng). Any unauthorized alteration is subjected to have disciplinary action. Re-production is not permitted.
DCS(Eng)

TYPE PLAN OF BUFFALO TANK

All right reserved this work or any part of there of may not be reproduced without written permission of the Engineering Services office of southern Provincial council.

Sheet No : 04	Checked By : <i>S. Jayaraj</i> (S.P. Weerasinghe)
Drawing No : SPES/rate23/BK19	D.O.A. : <i>C.P. Doshi</i> (G.N.R. Ekamayake)
Scale : 1 - 20	Engineer Asistant : <i>K.S.</i> (H.K.S. Premathilaka)
Date : 2023-06-08	Design Engineer : <i>N. Wajira</i> (Eng. N.M.S. Munsiraghe)
Drawn By : indika	Director (Engineer) : <i>C.B.</i> (Eng. C.B. Abeyaratne)

DETAILED DRAWING
(RATE ANALYSIS)

ENGINEERING SERVICES OFFICE.
SOUTHERN PROVINCIAL COUNCIL, GALLE.

Tel: 09122-42786 / 09122-42785 / 09122-48181 / 09122-33125 / 09122-48282 / 09122-330745
FAX: 09122-42788 / 09122-42789 / 09122-48181 / 09122-33125 E-mail: engserv@spcna.com